

# Art. "D" - SHUTTLE ANGLE VALVE



**DESCRIPTION**

Valve with flat shutter closing.  
 Seal: NBR - FPM - EPDM - PTFE (PTFE+FPM).  
 Perfect airtight.  
 Pneumatic actuator with reciprocating piston movement.  
 POSITIONING RING NUT, which, turning the cylinder by 360°, allows the desired positioning of air side connection.

Connections with inner GAS ISO 228 thread female-female.

On request with NPT connections.

Control air 1/8" GAS connections.

**ALLOWABLE TEMPERATURES**

Operating temperature:  
 Seal in NBR: from -20°C to +100°C  
 Seal in FPM: from -15°C to +150°C  
 Seal in EPDM: from -40°C to +100°C

**ACTUATOR PILOT PRESSURE: Max 8 bar**

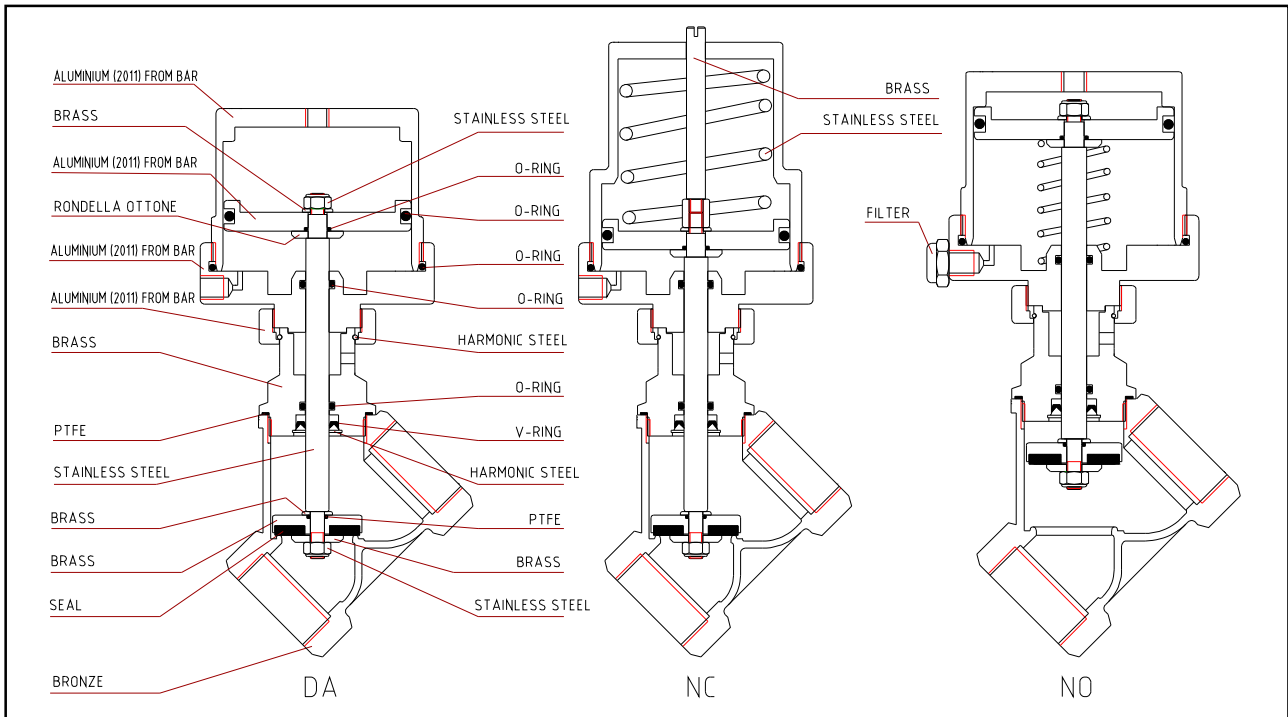
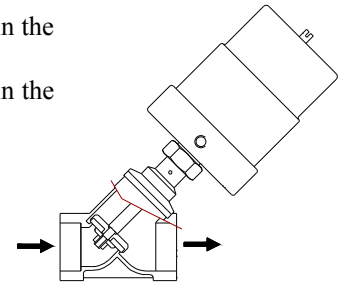
**VERSIONS AND SIZES**

DA: 1/2" - 3/4" - 1" - 1"1/4 - 1"1/2 - 2" - 2"1/2 - 3"  
 SANC: 1/2" - 3/4" - 1" - 1"1/4 - 1"1/2 - 2" - 2"1/2 - 3"  
 SANO: 1/2" - 3/4" - 1" - 1"1/4 - 1"1/2 - 2"

**ANODIZING TREATMENT ON OUTSIDE DETAILS  
 MADE IN ALUMINIUM**

It is **not subject** to the "Water Hammer" if the fluid pass through the valve in the direction of the arrow printed on the body (under the actuator).  
 With these conditions the tightness is guaranteed up to the pressures shown in the Differential Pressure Chart.

| MINIMUM PRESSURE REQUIRED TO OPEN NC VERSION |      |      |    |       |       |    |       |    |
|--|------|------|----|-------|-------|----|-------|----|
| G  | 1/2" | 3/4" | 1" | 1"1/4 | 1"1/2 | 2" | 2"1/2 | 3" |
| BAR  | 4    | 4    | 5  | 5     | 5     | 5  | 5     | 5  |



**Art. "D"**

**DIFFERENTIAL PRESSURE CHARTE**

NC : NBR-FPM-EPDM

NC : PTFE

DA/NO : NBR-FPM-EPDM

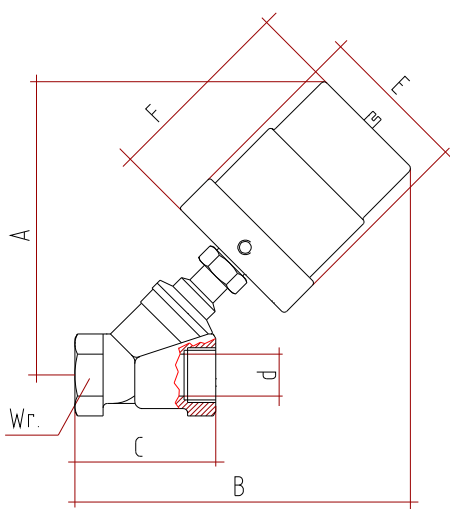
DA/NO : PTFE

| G     | DeltaP<br>bar |
|-------|---------------|
| 1/2"  | 24            |
| 3/4"  | 20            |
| 1"    | 18            |
| 1"1/4 | 18            |
| 1"1/2 | 15            |
| 2"    | 9             |
| 2"1/2 | 4             |
| 3"    | 3             |

| G     | DeltaP<br>bar |
|-------|---------------|
| 1/2"  | 22            |
| 3/4"  | 20            |
| 1"    | 16            |
| 1"1/4 | 15            |
| 1"1/2 | 13            |
| 2"    | 7             |
| 2"1/2 | 3             |
| 3"    | 2             |

| G     | PILOT<br>PRESS. | DeltaP<br>bar |
|-------|-----------------|---------------|
| 1/2"  | 3               | 14            |
| 1/2"  | 4               | 20            |
| 3/4"  | 3               | 13            |
| 3/4"  | 4               | 19            |
| 1"    | 3               | 10            |
| 1"    | 4               | 18            |
| 1"1/4 | 3               | 15            |
| 1"1/4 | 4               | 20            |
| 1"1/2 | 3               | 12            |
| 1"1/2 | 4               | 15            |
| 2"    | 3               | 8             |
| 2"    | 4               | 10            |
| 2"1/2 | 4               | 6             |
| 2"1/2 | 5               | 8             |
| 3"    | 4               | 4             |
| 3"    | 5               | 6             |

| G     | PILOT<br>PRESS. | DeltaP<br>bar |
|-------|-----------------|---------------|
| 1/2"  | 3               | 12            |
| 1/2"  | 4               | 18            |
| 3/4"  | 3               | 11            |
| 3/4"  | 4               | 16            |
| 1"    | 3               | 8             |
| 1"    | 4               | 15            |
| 1"1/4 | 3               | 12            |
| 1"1/4 | 4               | 18            |
| 1"1/2 | 3               | 10            |
| 1"1/2 | 4               | 13            |
| 2"    | 3               | 7             |
| 2"    | 4               | 9             |
| 2"1/2 | 4               | 5             |
| 2"1/2 | 5               | 7             |
| 3"    | 4               | 3             |
| 3"    | 5               | 5             |



**OVERALL DIMENSIONS DA/NO VERSIONS**

| DN  | G     | A   | B   | C   | d   | E   | F   | Wrench | Kv   | Weight |
|-----|-------|-----|-----|-----|-----|-----|-----|--------|------|--------|
| mm. |       | mm. | mm. | mm. | mm. | mm. | mm. | mm.    | m3/h | g.     |
| 15  | 1/2"  | 126 | 145 | 61  | 15  | 65  | 76  | 27     | 4.5  | 850    |
| 20  | 3/4"  | 132 | 152 | 70  | 20  | 65  | 76  | 33     | 11   | 900    |
| 25  | 1"    | 134 | 157 | 81  | 25  | 65  | 76  | 38     | 13   | 1000   |
| 32  | 1"1/4 | 167 | 195 | 95  | 32  | 100 | 83  | 49     | 30   | 1650   |
| 40  | 1"1/2 | 174 | 202 | 110 | 40  | 100 | 83  | 56     | 42   | 2100   |
| 50  | 2"    | 186 | 222 | 130 | 50  | 100 | 83  | 69     | 66   | 2950   |
| 65  | 2"1/2 | 220 | 230 | 149 | 65  | 100 | 86  | 86     | 82   | 5200   |
| 80  | 3"    | 228 | 248 | 174 | 80  | 100 | 86  | 110    | 98   | 6150   |

**OVERALL DIMENSIONS NC VERSION**

| DN  | G     | A   | B   | C   | d   | E   | F   | Wrench | Kv   | Weight |
|-----|-------|-----|-----|-----|-----|-----|-----|--------|------|--------|
| mm. |       | mm. | mm. | mm. | mm. | mm. | mm. | mm.    | m3/h | g.     |
| 15  | 1/2"  | 134 | 153 | 61  | 15  | 77  | 86  | 27     | 4.5  | 1180   |
| 20  | 3/4"  | 140 | 160 | 70  | 20  | 77  | 86  | 33     | 11   | 1200   |
| 25  | 1"    | 142 | 165 | 81  | 25  | 77  | 86  | 38     | 13   | 1400   |
| 32  | 1"1/4 | 183 | 211 | 95  | 32  | 100 | 111 | 49     | 30   | 2400   |
| 40  | 1"1/2 | 191 | 219 | 110 | 40  | 100 | 111 | 56     | 42   | 2820   |
| 50  | 2"    | 203 | 239 | 130 | 50  | 100 | 111 | 69     | 66   | 3680   |
| 65  | 2"1/2 | 239 | 244 | 149 | 65  | 100 | 114 | 86     | 82   | 5500   |
| 80  | 3"    | 247 | 263 | 174 | 80  | 100 | 114 | 110    | 98   | 6350   |