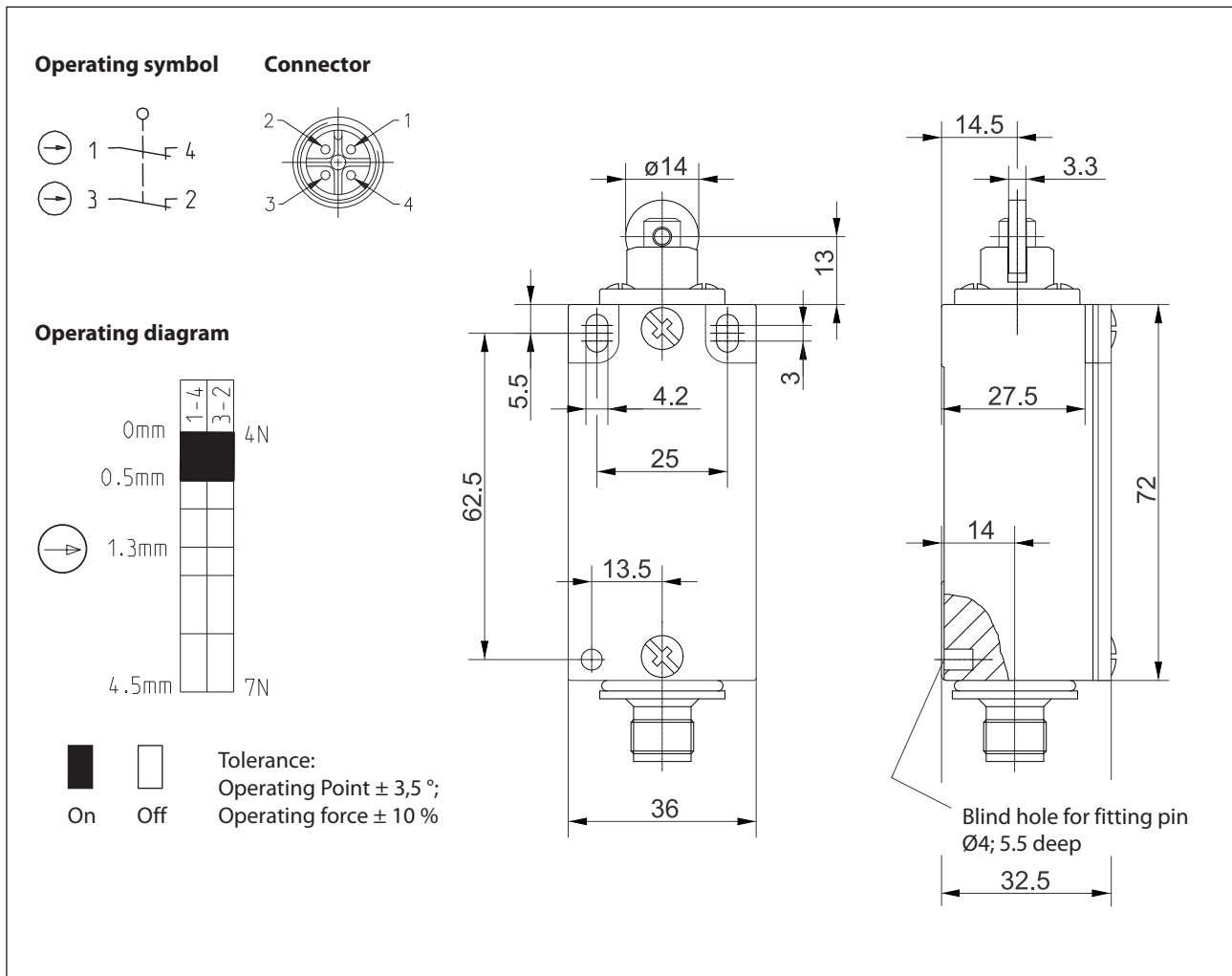


Metal bodied limit switch Series GC

Description **GC-A2Z RIW M12**

Article number **6121817956**



Electrical Data

| | | |
|---------------------------------|-----------|-----------------------------------|
| Rated operational voltage | U_e | 24 V |
| Utilization category | | AC-15, U_e/I_e 24 V / 1,5 A |
| Direct opening action | \ominus | acc. to IEC/EN 60947-5-1, annex K |
| Short-circuit protective device | | Fuse 2 A gG |
| Protection class | | III (safety extra-low voltage) |

| Mechanical data | |
|-------------------------|--------------------------------------|
| Enclosure | Die-cast aluminium |
| Cover | Sheet aluminium |
| Actuator | Roller (steel) |
| Ambient air temperature | -30 °C ... +80 °C |
| Contact type | 2 NC (B) |
| Mechanical life | 3 x 10 ⁶ operating cycles |
| Switching frequency | ≤ 100 / min. |
| Assembly | 2 x M4 |
| Connection | Connector M12x1; A coded |
| Weight | ≈ 0,16 kg |
| Installation position | operator definable |
| Protection type | IP65 acc. to IEC/EN 60529 |

| Actuation |
|--------------------------------------------------------------------------------------------------------------------------------------------------------------------------------------------------------------------------|
| By loosening the 4 screws the actuation assembly can be rotated in 90 degree increments such that 4 actuation directions are possible. The actuation assembly is to be again fastened to the housing using the 4 screws. |

| Standards |
|------------------------------------------------|
| VDE 0660 T100, DIN EN 60947-1, IEC 60947-1 |
| VDE 0660 T200, DIN EN 60947-5-1, IEC 60947-5-1 |

| Notes |
|----------------------------------------------------------------------------------------------------------------------------------------------------------------------------------------------------------------------------------------------------------------------------------------------------------------------------------------------------------------------------------------------------------------------------------|
| <p>The degree of protection specified (IP code) applies only to a properly closed cover and the use of an equivalent connector.</p> <p>The connector and the cable (fix or flexible mounted) must at least be suitable for the described ambient air temperatures.</p> <p>The connector must not be connected or disconnected when voltage is applied.</p> <p>The mechanical life of the connector is 500 connection cycles.</p> |