

Technical Data

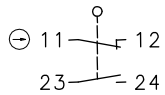
Foot-switch

Series F1

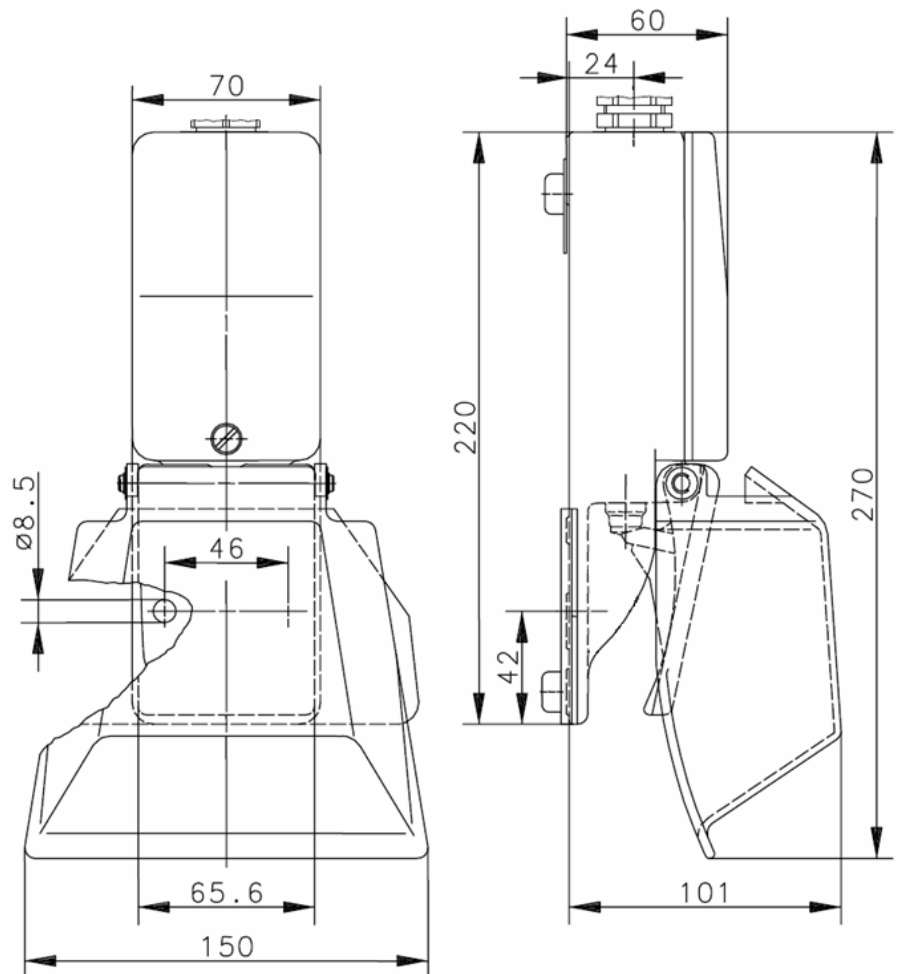
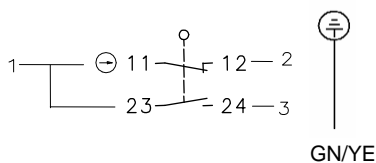
Description **F1-U1Z UK**

Article number **6161600738**

Switching symbol



Wiring/connector pin assignment



Electrical data

Rated insulation voltage	U_i	400 V AC
Conv. thermal current	I_{the}	10 A
Rated operational voltage	U_e	240 V
Utilization category		AC-15, U_e/I_e 240 V / 3 A
Direct opening action	\ominus	acc. to IEC/EN 60947-5-1, Annex K
Short-circuit protective device		Fuse 10 A gG
Protection class		I

This document will not become the contractual basis; the details included herein do not constitute any descriptions of expected conditions, so that warranties/claims for defects on account of possible variations of the actual qualities from the qualities described herein are explicitly excluded. All rights reserved. Specifications subject to change without notice!

Date of issue: 18.03.2013 / Page 1 of 2
Document: 6161600738_en / Status: 1 / 2190-13

Technical Data

Foot-switch



Mechanical data	
Enclosure	AL, die-cast
Cover	AL, die-cast, colour RAL 3016
Protective guard	AL, chill casting
Actuator	Foot lever (PA)
Ambient air temperature	-30 °C to +80 °C
Contact type	1 N.C, 1 N.O. (Zb)
Operating force – Pedal	approx. 10 N (pedal centre)
Mechanical life	10 x10 ⁶ operating cycles
Switching frequency	max. 50/min
Assembly	2 x M8
Connection	Harting HAN 3AM 09200032611, 19200031440
Number of connections	4 (switching symbol) 3 connected
Protection ground	2 x M4
Conductor cross-sections	ConCab cable 569 4G1,0 18AWG 3,3 m ± 5 %
Cable entrance	Cable gland M20x1,5
Weight	approx. 1,0 kg
Protection type	IP67 in accordance with IEC/EN 60529
Regulations	
	VDE 0660 T100, DIN EN 60947-1, IEC 60947-1 VDE 0660 T200, DIN EN 60947-5-1, IEC 60947-5-1
EU Conformity	
	acc. to directive 2006/95/EC

Notes

The degree of protection specified (IP code) applies only to a properly closed cover and the use of an equivalent cable gland with adequate cable.

This document will not become the contractual basis; the details included herein do not constitute any descriptions of expected conditions, so that warranties/claims for defects on account of possible variations of the actual qualities from the qualities described herein are explicitly excluded. All rights reserved. Specifications subject to change without notice!

Date of issue: 18.03.2013 / Page 2 of 2
Document: 6161600738_en / Status: 1 / 2190-13