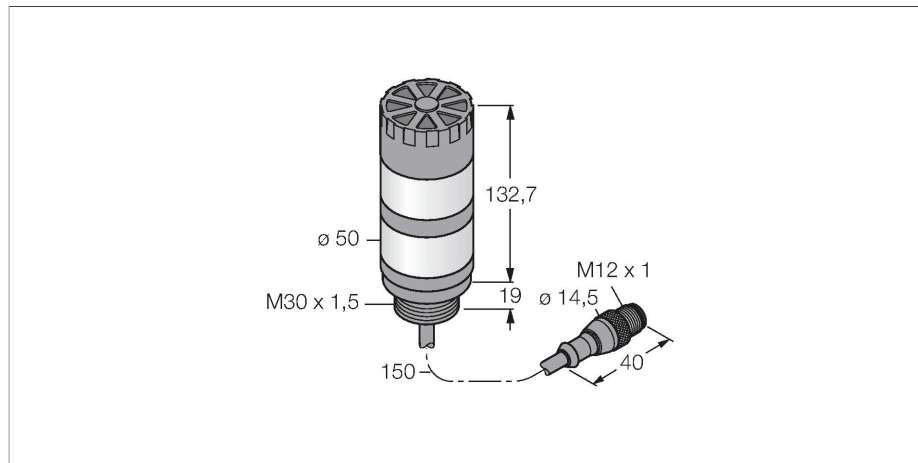


# TL50HGRA6PQPMA-87256 LED Indicator – Tower Light



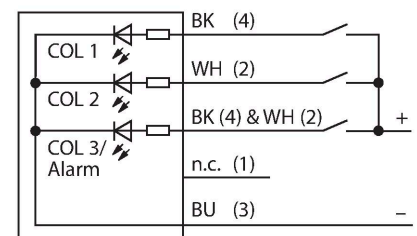
## Technical data

Type	TL50HGRA6PQPMA-87256
ID	3087256
<b>Signal and display data</b>	
Purpose	LED indicator light
Function	Tower light
Light type	Green Red
Dimmable	no
Features of color 1	Green, Permanently on, 60 lm
Features of color 2	Red, Permanently on, 32 lm
acoustic signal	Continuous tone, 92 dB
Special features	I/O module-compatible
<b>Electrical data</b>	
Operating voltage	18...30 VDC
DC rated operational current	≤ 100 mA
Operating voltage	21...27 VAC
Max. current consumption per color	100 mA
Max. current consumption of beeper	25 mA
Input type	PNP
Response time typical	< 10 ms
<b>Mechanical data</b>	
Cascadable	No
Design	Smooth barrel, TL50
Dimensions	Ø 50 x 151.7 x 151.7 mm
Housing material	Plastic, ABS, Black
Window material	Polycarbonate, diffuse

## Features

- Plastic housing, black
- EMI and RFI immune
- Protection class IP50
- Cable with male end M12 x 1, 150 mm
- Multicolor: Green (COL 1) / Red (COL 2)
- Operating voltage: 18...30 VDC or 24 VAC with 45 mA per LED color
- Inputs: PNP/NPN

## Wiring diagram



## Functional principle

The TL50H tower lights, in the high-brightness version, provide highly visible status indicators and a clear user guidance within the entire system. They can be assembled from varicolored LEDs and are available with or without beeper. You can mount them directly on machines, in the cabinet or in monitoring locations of production lines.

The wiring diagram shows a PNP pin assignment.

There are 5 colors available, blue (B), green (G), red (R), yellow (Y) and white (W), which specify the light sequence from bottom to top in the type code of the tower light.

Example: TL50GYRQ, colors green, yellow and red arranged from bottom to top.

	PIN 4 (BK)	PIN 2 (WH)
COL 1	•	
COL 2		•
COL 3/Alarm	•	•

## Technical data

Electrical connection	Cable with connector, M12 × 1, 0.15 m, PUR
Number of cores	4
Ambient temperature	-20...+50 °C
Relative humidity	0...95 %
Protection class	IP50
<b>Tests/approvals</b>	
Approvals	CE, UL listed

## Accessories

**SMB30A** 3032723

Mounting bracket, rectangular, stainless steel, for sensors with 30mm thread

**SMB30FA** 3074005

Montagewinkel; Werkstoff VA 1.4401

**SMB30SC** 3052521

Mounting bracket, PBT black, for sensors with 30 mm thread, rotatable

## Accessories

Dimension drawing	Type	ID	
	RKC4.4T-2/TEL	6625013	Connection cable, female M12, straight, 4-pin, cable length: 2 m, sheath material: PVC, black; cULus approval; other cable lengths and qualities available, see <a href="http://www.turck.com">www.turck.com</a>
	WKC4.4T-2/TEL	6625025	Connection cable, female M12, angled, 4-pin, cable length: 2 m, sheath material: PVC, black; cULus approval; other cable lengths and qualities available, see <a href="http://www.turck.com">www.turck.com</a>