

**CONNECT AND PROTECT**

# PCB Accessories

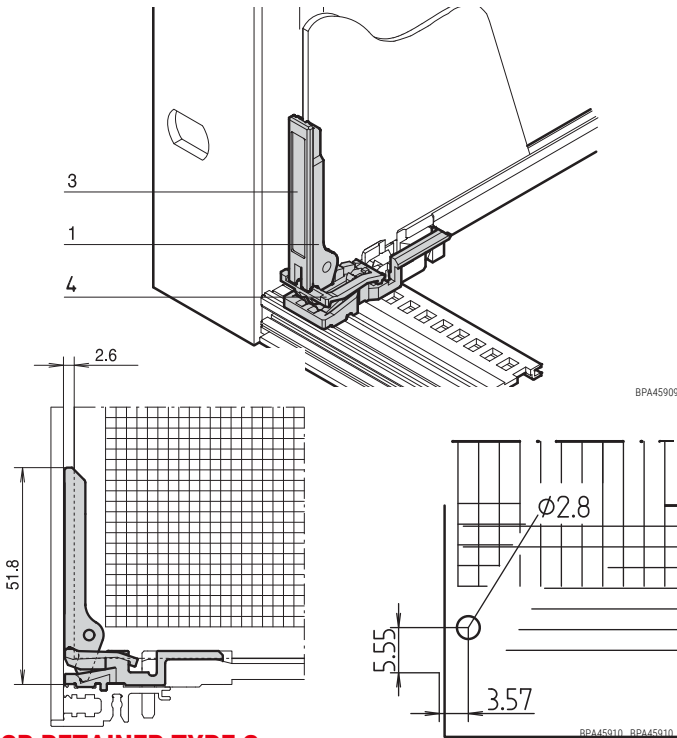
11/2022

  
nvent

**SCHROFF**

# Modules – PCB accessories

## PCB HANDLE TYPE C



- For europacPRO, multipacPRO, ratiopacPRO, propacPRO and compacPRO
- Mounted behind the front panel
- Insertion and extraction
- Can be labelled
- In accordance with IEC 60297-3-102

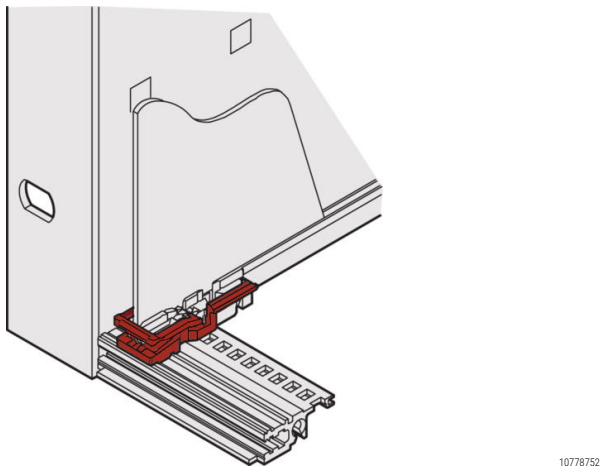
### ORDER INFORMATION

Item	Description	Material	Colour	Qty/PU	Part no.
1	PCB handle	PBT, UL 94 V-0	red	10	<b>24560-378</b>
3	Identification strip (1 sheet = 438 pieces)	Polyester film, self-adhesive	white/matt	1	<b>60817-228</b>

### NOTE

- Minimum spacing of guide rail 3 HP
- For board thickness 1.6 mm
- Please order PCB retainer separately
- Can only be used together with guide rail for accessories

## PCB RETAINER TYPE C



- For europacPRO, multipacPRO, ratiopacPRO, propacPRO and compacPRO
- Can also be used without PCB handle
- Application on top and bottom horizontal rail with "accessory" type guide rail

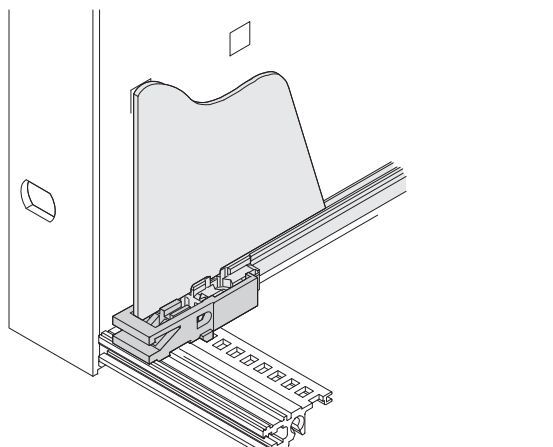
### ORDER INFORMATION

Item	Description	Material	Colour	Qty/PU	Part no.
1	PCB retainer	PBT, UL 94 V-0	red	10	<b>24560-377</b>

### NOTE

- Minimum spacing of guide rail 3 HP

## PCB RETAINER TYPE A



- For fixing PCB
- Can also be used without PCB handle
- Application on top and bottom horizontal rail
- Suitable for PCB handles
- For the combination of EuropacPRO guide rails and the older type PCB handle

### ORDER INFORMATION

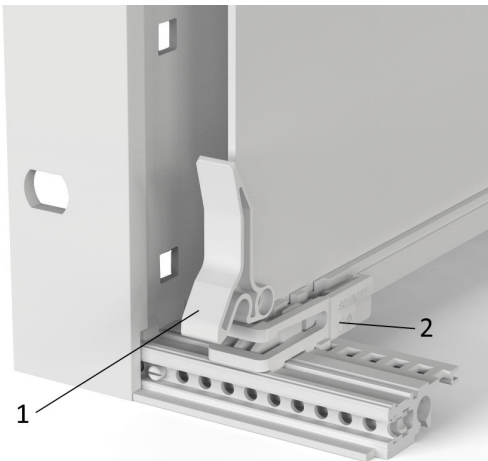
Description	Material	Colour	Qty/PU	Part no.
PCB retainer A	PPO, UL 94 V-0	red	10	<b>24560-381</b>

### NOTE

- Groove width 2 mm

# Modules – PCB accessories

## PCB HANDLE TYPE A



- Insertion an extraction function
- For PCB thickness 1,6mm
- Suitable for PCB retainer 24560-381
- For the combination of EuropacPRO guide rails and the older type PCB handle

### ORDER INFORMATION

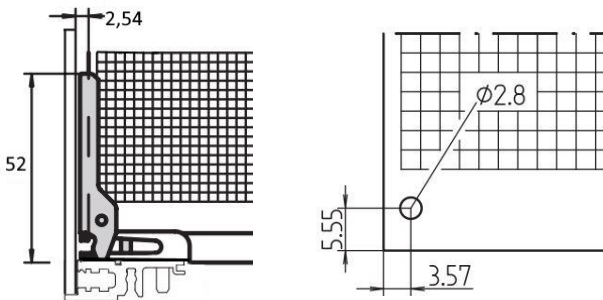
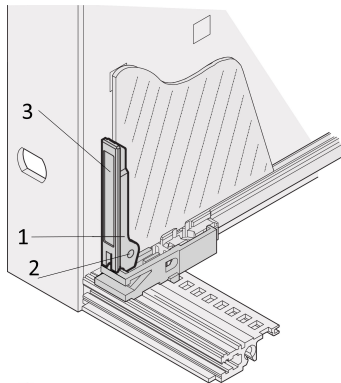
Description	Material	Colour	Qty/PU	Part no.
PCB Handle (1)	PC, UL 94 V-0	red	1 piece SPQ 10	<b>60817-055</b>

Retainer (2), 24560-381

### NOTE

- Groove width 2 mm

## PCB HANDLE TYPE A



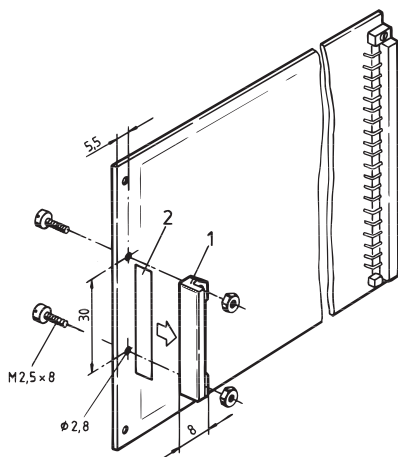
- For the combination of EuropacPRO guide rails and the older type PCB handle
- Can be mounted behind the front panel
- Insertion an extraction function
- Can be labelled
- In accordance with IEC 60297-3-102

### ORDER INFORMATION

Item	Description	Material	Colour	Qty	Part no.
1	PCB handle	PC; UL 94 V-0	red	1 piece (SPQ 10)	<b>60817-096</b>
2	Pivot pin	Stainless steel		100	<b>21100-671</b>
3	Identification strip	Polyester film, self-adhesive	silver	100	<b>21100-672</b>

SPQ (standard pack quantity): Part number includes 1 piece, but delivery is exclusively made in standard pack quantity: Please order at least 10 pieces PCB handles or a multiple

## PCB HANDLE, CAN BE BOLTED/RIVETED



- For board thickness 1.6 mm

### ORDER INFORMATION

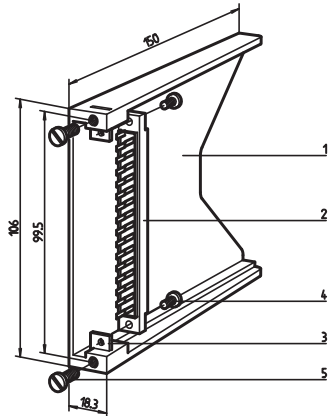
Item	Description	Material	Colour	Qty	Part no.
1	PCB handle, can be bolted/riveted	PC	yellow	1 piece (SPQ 10)	<b>60817-050</b>
2	PCB handle, can be bolted/riveted	PC	red	1 piece (SPQ 10)	<b>60817-051</b>
1	PCB handle, can be bolted/riveted	PC	green	1 piece	<b>60817-052</b>
Identification strip Item 2, carton, white, 37.5 x 7 x 0.15 mm, 1 sheet = 105 pieces					<b>69000-969</b>
PoziDrive panhead screw M2.5 x 8, St, nickel-plated, PU 100 pieces					<b>21101-069</b>
Hexagonal nut A 2.5, nickel-plated, PU 100 pieces					<b>21100-144</b>

A4-1302

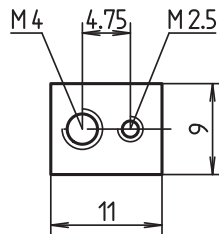
SPQ (standard pack quantity): Part number includes 1 piece, but delivery is exclusively made in standard pack quantity: Please order at least 10 pieces PCB handles or a multiple

# Modules – PCB accessories

## PCB POCKET



Retention bracket (DIN 41612)



- Accepts PCBs in euroboard format, 100 × 160 mm
- For female connectors to EN 60603 (DIN 41612)

### DELIVERY COMPRISES (kit)

Item	Qty	Description
1	1	PCB pocket, PBT (P), grey, UL 94 V-0
3	2	Retention bracket, St, 2 mm, nickel-plated
4	2	Cheesehead screw M2.5 × 6, St, nickel-plated
5	2	Cheesehead screw M4 × 12, St, nickel-plated

### ORDER INFORMATION

Item	Description	Material	Colour	Qty/PU	Part no.
1	PCB pocket	PBT (P)	grey	1	<b>20800-032</b>

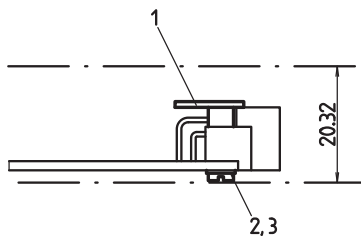
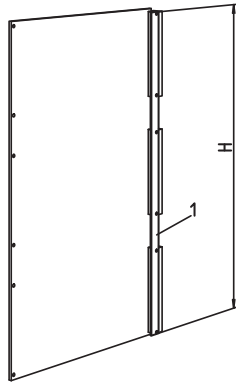
LKA42605

### NOTE

- Connector (item 2) see page 11.2

LKA42606

## PCB STRENGTHENING (9 U)



- Protects large PCBs from bending
- Creates an additional crossbar (corresponding to IEEE recommendations, P 896, Nubus, Multibus® II etc.) that links all connectors mechanically
- Fixing points match connectors to EN 60603 (DIN 41612), types B, R, C and D

### DELIVERY COMPRISES (kit)

Item	Qty	Description
1	1	PCB strengthening, Al extrusion, anodised, cut edges plain; separator, stainless steel, riveted on
2	6	Cheesehead screw M 2.5 × 12, St, nickel-plated
3	6	Washer 2.6, St, nickel-plated

LKA42609

### ORDER INFORMATION

Description	Height H mm	Part no.
For 9 U PCBs	361.6	<b>20809-441</b>

LKA42593

## PCB COVERS



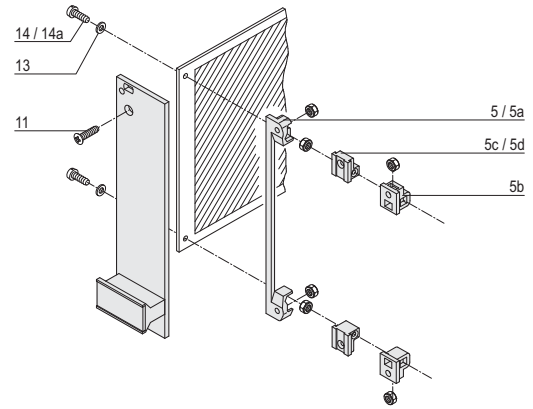
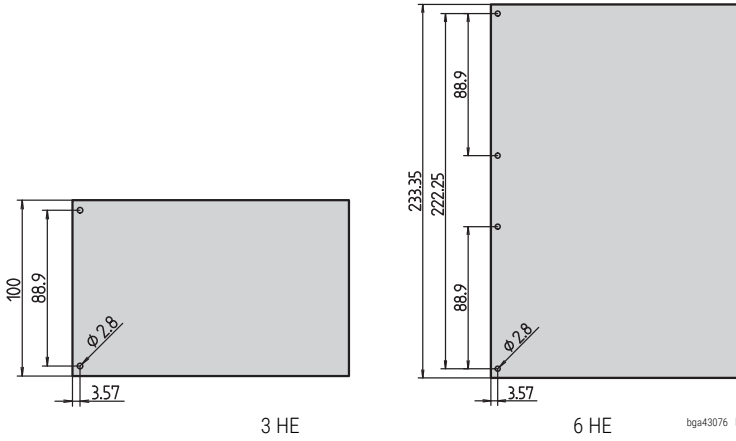
- Covers to protect solder side of board, see page 7.62


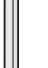



# Modules – PCB accessories

## INDIVIDUAL COMPONENTS PCB SUPPORT FOR STATIC TRAPEZIFORM HANDLE

### FIXING PARTS FOR EXTRACTOR HANDLES IN KEY FORM 2

Drill hole dimensions on PCB

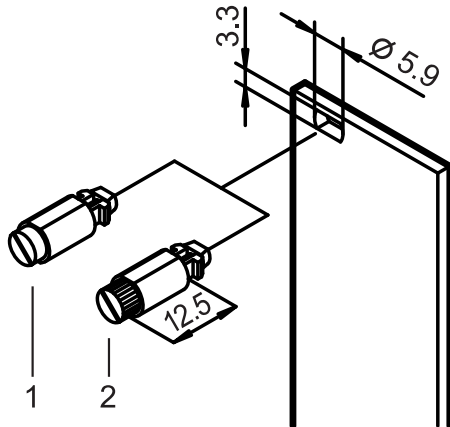


Fixing parts	Item	Image	Required quantity		Qty/PU	Part no.
			3 U	6 U		
PCB bracket 4 clearance holes for front panel/PCB fixing, 4 recesses for hexagon nuts; PBT, UL 94 V-0, red	5		1	2	1 piece (SPQ 10) <sup>1)</sup>	<b>60807-011</b>
PCB bracket 4 threads M2.5 for front panel/PCB fixing, PBT, UL 94 V-0, grey, 1 piece	5a	 <small>AZA45177</small>	1	2	1 piece (SPQ 10) <sup>1)</sup>	<b>60807-211</b>
PCB bracket Clearance hole for front panel fixing, with recess for hexagon nut, drill hole for self-tapping screw for PCB fixing, PBT, UL 94 V-0, grey, 1 piece	5b	 <small>AZA45177</small>	2	4	1 piece (SPQ 10) <sup>1)</sup>	<b>60807-183</b>
PCB bracket 2 threads M2.5 for front panel/PCB fixing, die-cast zinc, 1 piece	5c	 <small>06707050</small>	2	4	1 piece (SPQ 10) <sup>1)</sup>	<b>60807-181</b>
PCB bracket Thread M2.5 for front panel fixing, clearance hole for PCB fixing, die-cast zinc, 1 piece	5d	 <small>06707050</small>	2	4	1 piece (SPQ 10) <sup>1)</sup>	<b>60807-203</b>

1) SPQ (standard pack quantity): Part number includes 1 piece, but delivery is exclusively made in standard pack quantity (SPQ); please order at least the SPQ quantity or a multiple

# Modules – Assembly parts

## QUICK-RELEASE FASTENERS



06702062

- Vibration and shock proof
- 1/4 rotary lock with defined stop
- Detection of fastening position through slot position

### DELIVERY COMPRISES

Qty	Description
1	Locking pin, St, locking, Zn die-cast
1	Press-in sleeve, POM

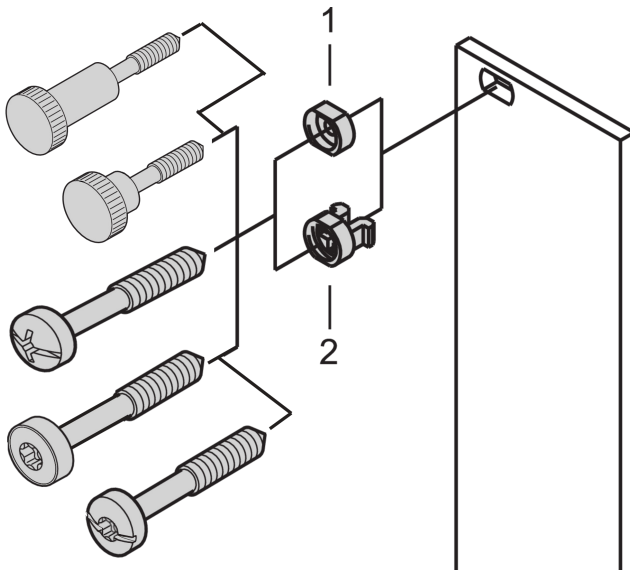
### ORDER INFORMATION

Item	Description	Qty/PU	Part no.
1	With slotted head, grey	100	<b>21101-847</b>
1	With slotted head, black	100	<b>21101-848</b>
2	With knurled and slotted head, grey	100	<b>21101-849</b>
2	With knurled and slotted head, black	100	<b>21101-850</b>

### NOTE

Quick-release fasteners: mounting without threaded insert

## SLEEVES



### ORDER INFORMATION









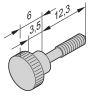

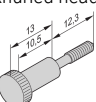
Item	Description	Application	Qty/PU pieces	Part no.
2	Plastic sleeve, PA, grey	for unshielded front panels	100	<b>21100-464</b>
2	Plastic sleeve, PA, black	for unshielded front panels	100	<b>21100-591</b>
1	Metal sleeve, brass, nickel-plated	for shielded front panels	10	<b>21100-659</b>
1	Metal sleeve, brass, nickel-plated	for shielded front panels	100	<b>21100-660</b>
1	Metal sleeve, brass, black	for shielded front panels	10	<b>21100-885</b>
1	Metal sleeve, brass, black	for shielded front panels	100	<b>21100-886</b>
1	Metal sleeves, stainless steel	for shielded front panels	10	<b>21100-661</b>
1	Metal sleeves, stainless steel	for shielded front panels	100	<b>21100-662</b>

### NOTE

- Metal sleeves must be pressed-in into front panels
- Sleeve does not fit 2 HP wide front panels



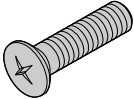
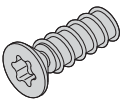
# Modules – Assembly parts

## COLLAR SCREWS

Description	Material	Torque	Dimension	Qty/PU	Part no.	
 137813732 Collar screw with philips drive/slot	For mounting of front panels when using threaded inserts	max. 0,3 Nm	St, nickel-plated	M2.5 x 12.3	100	<b>21102-026</b>
 108909341 Collar screw with pozi drive/slot	For mounting of front panels when using threaded inserts	max. 0,3 Nm	St, nickel-plated	M2.5 x 12.3	100	<b>21101-101</b>
		max. 0,3 Nm	Stainless steel	M2.5 x 12.3	100	<b>21101-906</b>
		max. 0,3 Nm	St, zinc-plated, black	M2.5 x 12.3	100	<b>21101-102</b>
	For mounting of front panels when using threaded inserts	max. 0,3 Nm	St, nickel-plated	M2.5 x 12.3	100	<b>21101-976</b>
	For mounting of front panels when using threaded inserts	max. 0,3 Nm	St, nickel-plated	M2.5 x 12.3	100	<b>21101-782</b>
 137813729		max. 0,3 Nm	St, zinc-plated, black	M2.5 x 12.3	100	<b>21101-783</b>
  Collar screw with knurled head	For mounting of front or side hinged front panels when using threaded inserts or slides (page 6.68)	max. 0,3 Nm	Brass, nickel-plated	M2.5 x 12.3	100	<b>21101-749</b>
 	For mounting of front or side hinged front panels when using threaded inserts or slides (page 6.68) For horizontal rails with long lip (H_LL or R_LL)	max. 0,3 Nm	Brass, nickel-plated	M2.5 x 12.3	100	<b>21101-909</b>

# Modules – Assembly parts

## COUNTERSUNK SCREWS

Description	Material	Dimension	Qty/PU	Part no.
 <p>Pozidrive countersunk screw</p> <p>az245182</p>	St, nickel-plated	M2.5 x 6	100	<b>21100-515</b>
	St, nickel-plated	M2.5 x 12	100	<b>21100-507</b>
 <p>Torx countersunk screw</p>	St, zinc-plated	M4 x 5	100	<b>24560-139</b>
	St, zinc-plated	M4 x 14	100	<b>24560-145</b>
 <p>Raised Pozidrive countersunk screw</p> <p>06702056</p>	St, nickel-plated	M2.5 x 8	100	<b>21100-429</b>
	St, nickel-plated	M2.5 x 10	100	<b>21100-500</b>
	St, zinc-plated, black	M2.5 x 10	100	<b>21100-649</b>
 <p>Torx countersunk screw, self-tapping</p> <p>06707057</p>	St, nickel-plated	M3 x 8	100	<b>21100-542</b>
	St, zinc-plated	2.5 x 7.7	100	<b>24560-158</b>

## SCREWS FOR PLUG-IN UNITS



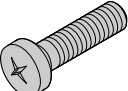
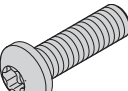
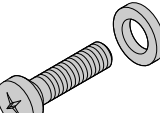
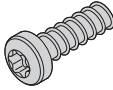
### ORDER INFORMATION

Description	Qty/PU	Part no.
Slotted flathead screw, 6-32 UNC x 6	100	<b>21100-712</b>






# Modules – Assembly parts

## PANHEAD SCREWS





Description	Material	Dimension	Qty/PU	Part no.
 <p>Pozidrive panhead screw</p> <p>06702057</p>	St, nickel-plated	M2.5 x 5	100	<b>21101-314</b>
	St, nickel-plated	M2.5 x 6	100	<b>21101-219</b>
	St, nickel-plated	M2.5 x 8	100	<b>21101-069</b>
	St, nickel-plated	M2.5 x 10	100	<b>21101-220</b>
	St, nickel-plated	M2.5 x 12	100	<b>21101-221</b>
	St, nickel-plated	M2.5 x 16	100	<b>21101-222</b>
	St, zinc-plated	M5 x 12	100	<b>21100-788</b>
 <p>Torx panhead screw</p> <p>AZA45940</p>	St, zinc-plated	M2.5 x 6	100	<b>24560-159</b>
	St, nickel-plated	M2.5 x 7	100	<b>24560-147</b>
	St, nickel-plated	M2.5 x 10	100	<b>24560-148</b>
	St, nickel-plated	M2.5 x 12	100	<b>24560-161</b>
	St, nickel-plated	M2.5 x 14	100	<b>24560-162</b>
	St, zinc-plated	M4 x 6	100	<b>24560-135</b>
	St, zinc-plated	M4 x 6	100	<b>24560-151</b>
 <p>Screw + securing washer (PA)</p> <p>06702051</p>	St, nickel-plated	M2.5 x 12	100	<b>21100-777</b>
	St, zinc-plated, black	2.5 x 7.3	100	<b>24560-157</b>
 <p>Torx panhead screw, self-tapping</p> <p>06707058</p>	St, zinc-plated	2.5 x 9.3	100	<b>24560-141</b>

# Modules – Assembly parts




## GRUB SCREWS

	Description	Material	Dimension	Qty/PU	Part no.
	Grub screw	Stainless steel	M2.5 x 9, Torx 8	100	<b>21102-980</b>
		St, nickel-plated	M2.5 x 8	100	<b>21100-276</b>
		St, zinc-plated	M3.0 x 8	100	<b>21100-646</b>

## WASHERS

	Description	Material	Dimension	Qty/PU	Part no.
	Washer	Plastic, PA	2.7 x 5 x 1	100	<b>21101-121</b>
		Plastic, PA	2.8 x 6,3 x 2	100	<b>21101-964</b>
		St, nickel-plated	A2.7 DIN 125	100	<b>21100-721</b>
	Shakeproof washer	St, nickel-plated	A 2.6	100	<b>21100-142</b>

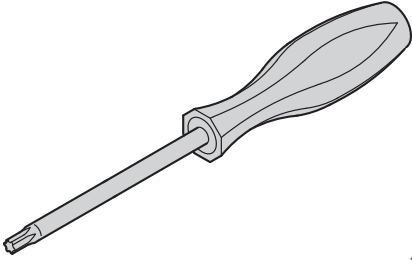
## NUTS

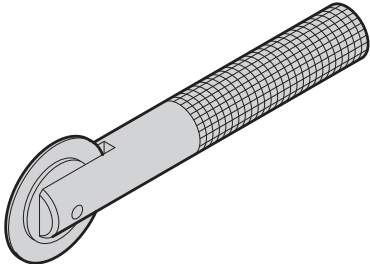
	Description	Material	Dimension	Qty/PU	Part no.
	Hexagon nut	St, nickel-plated	M2.5	100	<b>21100-144</b>
	Square nut	St, nickel-plated	M2.5	100	<b>21100-359</b>
	Square nut	St, zinc-plated	M4	100	<b>24560-140</b>

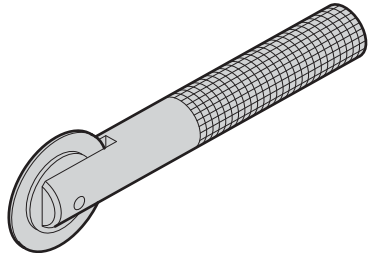
# Modules – Assembly parts

## ASSEMBLY TOOLS

### ORDER INFORMATION

Description	Application	Dimension	Qty/PU	Part no.
 AZA45925 Torx screwdriver	For M2.5 screw	T8	1	<b>64560-026</b>
	For M3 screw	T10	1	<b>64560-230</b>
	For M4 screw	T20	1	<b>64560-026</b>

 az2a45938 Assembly tool	Exclusively to fix stainless steel EMC gaskets in horizontal rails	–	1	<b>24560-271</b>
--	--	---	---	------------------

 az2a45937 Assembly tool	To fix stainless steel EMC gaskets on front panels with lateral slot	–	1	<b>24560-270</b>
---	--	---	---	------------------

### NOTE

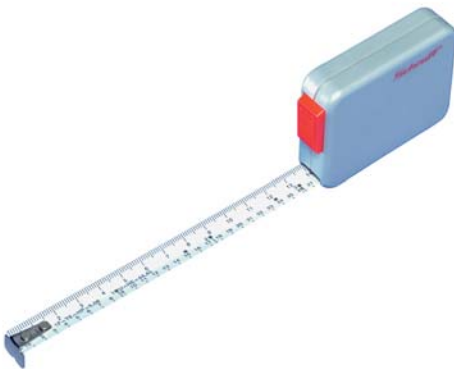
- Assembly tool to insert keying/coding pegs in guide rails is available on request

## MEASURING TAPE

- Measuring tape with cm, U-, HP-division (length 2 m)
- Plastic housing, metal measuring tape with automatic collection

### ORDER INFORMATION

Description	Part no.
Measuring tape	<b>89009-001</b>



## **North America**

**Warwick, RI, USA**

Tel +1.401.738.1722

**San Diego, CA, USA**

Tel +1.858.740.2400

## **Europe, Middle East & India**

**Straubenhardt, Germany**

Tel +49 7082 794 0

**Betschdorf, France**

Tel +33 3 88 90 64 90

**Warsaw, Poland**

Tel +48 22 209 98 35

**Hemel Hempstead,**

**Great Britain**

Tel +44 1442 24 04 71

**Lainate, Italy**

Tel +39 02 932 714 1

**Dubai, United Arab Emirates**

Tel +971 4 82 38 666

**Bangalore, India**

Tel +91 80 6715 8900

**Istanbul, Turkey**

Tel +90 541 368 0941

## **Asia Pacific**

**Shanghai, China**

Tel +86 21 2412 6943

**Singapore**

Tel +65 6768 5800

**Shin-Yokohama, Japan**

Tel +81 45 476 0271

Our powerful portfolio of brands:

**CADDY ERICO HOFFMAN RAYCHEM SCHROFF TRACER**



[nVent.com/SCHROFF](https://www.nvent.com/SCHROFF)