

# WGC

## Earth leakage transformers



### Description

This new range features a series of improvements intended in particular for installing units on switchboards. Along with the usual attachment elements, this unit can be installed on DIN rails using an accessory, which facilitates its installation.

The earth leakage transformers of the **WGC** series offer better immunity to the transient current spikes that usually trigger the earth leakage protection. The earth leakage transformers of the **WGC** series have been designed to operate with the relays of the **WGC** series. The sensitivity (trip current) of the transformer-relay assembly is established by the associated relay.

### Technical features

<b>Electrical insulation</b>	Safety	<b>IEC 60664-1 / IEC 60664-3</b>
	Maximum assigned service voltage	720 V
	Assigned impulse voltage / pollution	3 kV / III
<b>Measurement circuit</b>	Assigned transformation ratio, Kn	30 / 0.06 A
	Measurement accuracy	10%...15%
	Direct thermal current	60 A
	Thermal short-circuit current, $I_{th}$	1.8 kA / 1 sec
	Dynamic current, $I_{dyn}$	2.5 $I_{th}$
<b>Operating conditions</b>	Type	Optoisolated voltage-free
	Max. activation current	50 mA
	Insulation	1,500 V
<b>Mechanical features</b>	Terminal protection	IP 20 ( <b>IEC 60529</b> )
	Screw-in fasteners	M-5
	DIN rail (with accessory)	See code
	Housing material / colour	Lexan 923 / RAL 7035
	Self-extinguishing class	<b>UL94 V0</b>
	Product standards	<b>IEC 60044-1</b>
<b>Connection</b>	Two wire (S1-S2) connection type	Screw-in terminal (pzl screw)
	Dimensions of rigid/flexible conductors	0.1...2.5 mm <sup>2</sup> / 27...12 AWG
	Cabling with wire section $\geq 1$ mm <sup>2</sup>	0...1 m
<b>Connection to protection and measurement devices (RCD, RCM)</b>	Cabling with braided and shielded wire section $\geq 1$ mm <sup>2</sup>	0...10 m

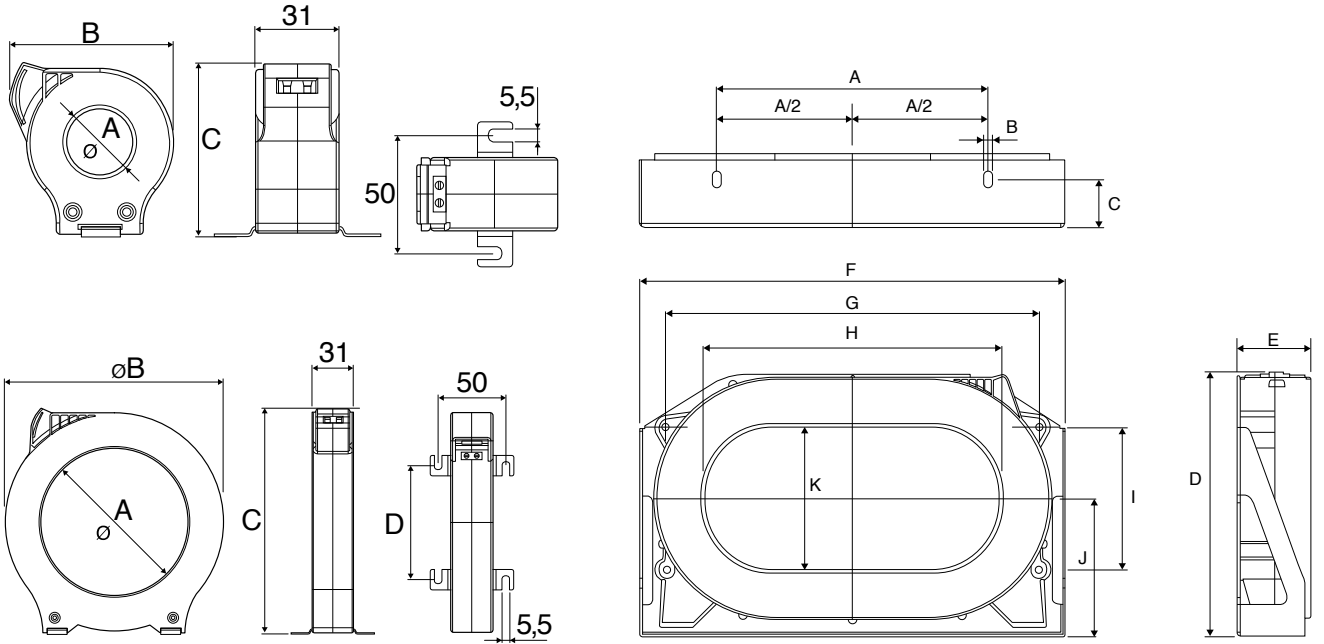
### References

Net section (mm)	Weight (g)	$I_n$ (A)	Type	Code
25 Ø	80	s / relay	<b>WGC 25</b>	<b>P10151</b>
35 Ø	120	s / relay	<b>WGC 35</b>	<b>P10152</b>
55 Ø	160	s / relay	<b>WGC 55</b>	<b>P10153</b>
80 Ø	300	s / relay	<b>WGC 80</b>	<b>P10154</b>
110 Ø	420	s / relay	<b>WGC 110</b>	<b>P10155</b>
140 Ø	760	s / relay	<b>WGC 140</b>	<b>P10156</b>
180 Ø	1480	s / relay	<b>WGC 180</b>	<b>P10157</b>
220 x 105	3740	s / relay	<b>WGC-220x105</b>	<b>P10158</b>
350 x 150	7800	s / relay	<b>WGC-350x150</b>	<b>P10159</b>
500 x 200	11300	s / relay	<b>WGC-500x200</b>	<b>P10160</b>
Accessory for assembly on DIN rail	-	-	<b>PA-TC/WG</b>	<b>P19921</b>

# WGC

## Earth leakage transformers

### Dimensions



	A	B	C	D
<b>WGC 25</b>	25	60,5	64	
<b>WGC 35</b>	35	70,5	75,5	
<b>WGC 55</b>	55	92	98	38
<b>WGC 80</b>	80	124,5	130	60
<b>WGC 110</b>	110	163	168	84,5
<b>WGC 140</b>	140	201	206	110
<b>WGC 180</b>	180	252	256	144

	WGC-220x105	WGC-350x150	WGC-500x200
<b>A</b>	200	340	460
<b>B</b>	7	7	7
<b>C</b>	35	30	40
<b>D</b>	279	195	306
<b>E</b>	50,2	54,2	64
<b>F</b>	314	479	614
<b>G</b>	275	430	550
<b>H</b>	<b>220</b>	<b>350</b>	<b>500</b>
<b>I</b>	105	165	180
<b>J</b>	102	143	155
<b>K</b>	<b>105</b>	<b>150</b>	<b>200</b>