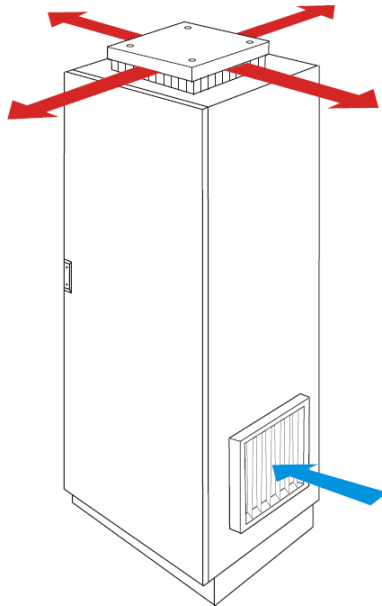


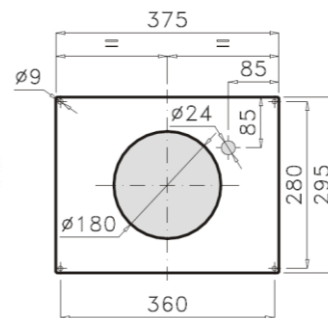


# KEA-KFA Top fan and filter

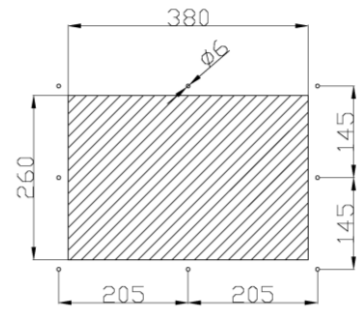
## DIMENSIONS



KEA



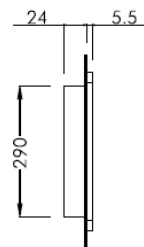
KEA 60-100



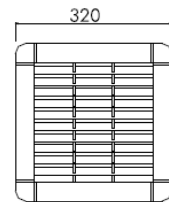
KEA 150



KFA



KFA 500



## TECHNICAL DATAS

		KEA 60 CAB	KEA 60 CAI	KEA 100 CAB	KEA 100 CAI	KEA 150 CAB	KEA 150 CAI
Power supply	V-Hz	230-1-50/60	230-1-50/60	230-1-50/60	230-1-50/60	230-1-50/60	230-1-50/60
Air flow	m <sup>3</sup> /h	450	450	700	700	1500	1500
Electrical power	W	80/98	80/98	85/90	85/90	160/215	160/215
Nominal current	A	0.36/0.44	0.36/0.44	0.38/0.40	0.38/0.40	0.7/0.98	0.7/0.98
Noise level	dB(A)	60	60	68	68	74	74
Weight	kg	5.4	5.4	5.6	5.6	11	11
IP		33*	33*	33*	33*	44	44
Ambient temperature	°C	-15/+40	-15/+40	-15/+40	-15/+40	-20/+50	-20/+50
RAL painting		7032	7035	7032	7035	7032	7035
Dimensions	Length	mm	375	375	375	550	550
	Width	mm	295	295	295	400	400
	Height	mm	91	91	91	140	140

\*KEA 60 and 100 exist in IP44

## ASSOCIATED FILTER

		KFA 500 CAB	KFA 500 CAI
RAL painting		7032	7035
IP		54	54
Weight	Kg	0.640	0.640
Dimensions	Length	mm	325
	Width	mm	325
	Depth	mm	30