

**ebm-papst St. Georgen GmbH & Co. KG**

Hermann-Papst-Str. 1

D-78112 St. Georgen

Phone +49 (0) 7724 81-0

Fax +49 (0) 7724 81-1309

info2@de.ebmpapst.com

www.ebmpapst.com

**Nominal data**

Type	5656 S	
Phase		1~
Nominal voltage	VAC	230
Frequency	Hz	50
Speed	min <sup>-1</sup>	2700
Power input	W	30.0
Min. ambient temperature	°C	-35
Max. ambient temperature	°C	70
Air flow	m <sup>3</sup> /h	235
Sound power level	B	5.9
Sound pressure level	dB(A)	46

ml = Max. load · me = Max. efficiency · fa = Running at free air · cs = Customer specs · cu = Customer unit  
Subject to alterations

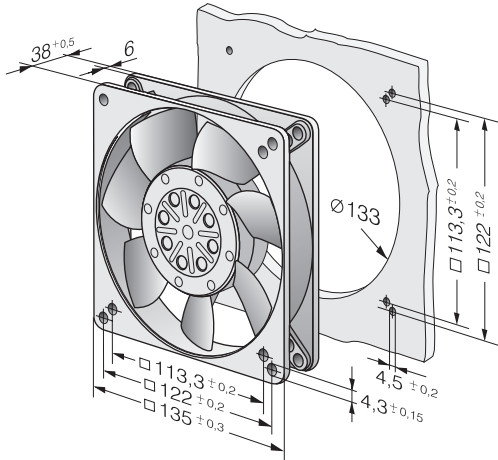


**Technical features**

<b>Mass</b>	0.800 kg
<b>Dimensions</b>	135 x 135 x 38 mm
<b>Material of impeller</b>	Sheet steel, coated in black
<b>Housing material</b>	Die-cast aluminium
<b>Direction of air flow</b>	Exhaust over struts
<b>Direction of rotation</b>	Left, looking at rotor
<b>Bearing</b>	Ball bearings
<b>Lifetime L10 at 40 °C</b>	45000 h
<b>Lifetime L10 at maximum temperature</b>	20000 h
<b>Connection line</b>	2 flat connectors 2.8 x 0.5 mm. Housing with grounding lug for M4 x 8.
<b>Motor protection</b>	Protected from overload by a thermal cutout switch
<b>Approval</b>	VDE, CSA, UL, CE



## Product drawing



## Charts: Air flow

