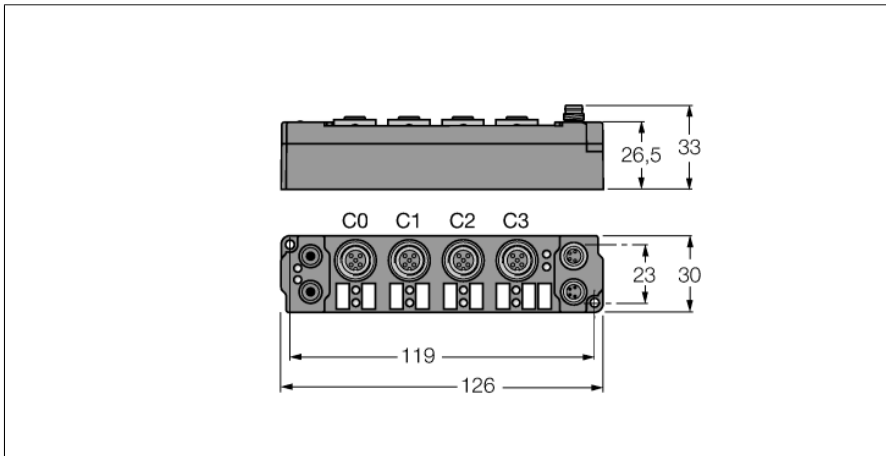
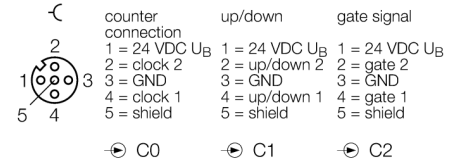


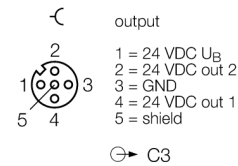
piconet® Extension Module for IP-Link
2-channel Up/Down Counter
SNNE-0202D-0003



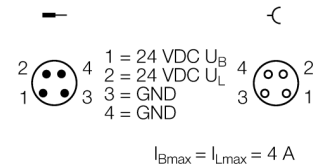
M12 × 1 Input



M12 × 1 Output



M8 × 1 Power Supply



Type designation	SNNE-0202D-0003
Ident-No.	6824187
Number of channels	4
Operating / load voltage	20...29 VDC
Operating current	≤ 30 mA
Fibre-optic length	≤ 15 m
Number of channels	2 count-, 2 gate inputs, 2 V/R changeover contacts
Low level signal voltage	-3 to 5 VDC
Switching frequency	≤ 100000 Hz
Number of channels	2 x 24 VDC/0.5 A, short-circuit proof
High level signal voltage	11 to 30 VDC
Current consumption	≤ 10 mA
Sensor supply	short-circuit proof, max. 0.5 A from operating voltage
Dimensions (W x L x H)	30 x 126 x 26.5mm
Operating temperature	0...+55 °C
Storage temperature	-25 to 85 °C
Vibration test	as per EN 60068-2-6
Shock test	acc. to DIN EN 60068-2-27
Electromagnetic compatibility	according to EN 61000-6-2/EN 61000-6-4
Protection class	IP67
Approvals	CE, cULus

piconet® Extension Module for IP-Link
2-channel Up/Down Counter
SNNE-0202D-0003

Data in process image

Pre-conditions	Adresse	Input data		Output data	
	Word	High-Byte	Low-Byte	High-Byte	Low-Byte
Complex mapping: Data are mapped with control and status byte	0	Ch0 D3	SB0	Ch0 D3	CB0
	1	Ch0 D1	Ch0 D2	Ch0 D1	Ch0 D2
	2	SB1	Ch0 D0	CB1	Ch0 D0
	3	Ch1 D2	Ch1 D3	Ch1 D2	Ch1 D3
	4	Ch1 D0	Ch1 D1	Ch1 D0	Ch1 D1