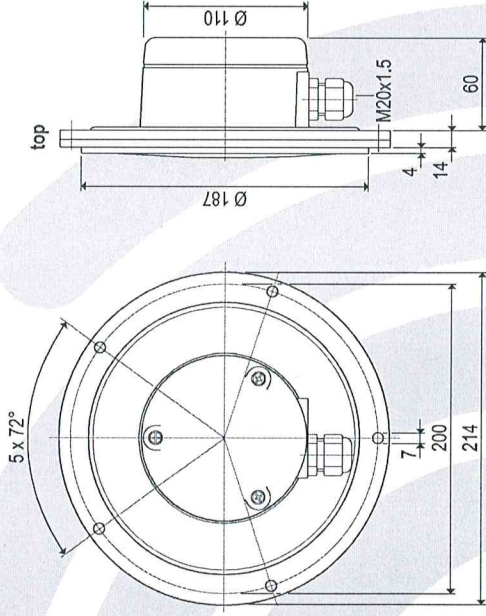


Appliance information

The membrane level indicator observes the level as limit switch in silos, hoppers and vessels.

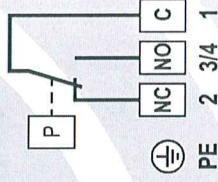
Dimensions



Type selection

Type	Membrane	Mounting ring
MFB-NA	= NBR	Aluminium
MFB-NE	= NBR	Stainless steel 1.4301 / 304
MFB-VA	= VITON	Aluminium
MFB-VE	= VITON	Stainless steel 1.4301 / 304
MFB-EA	= 1.4301 / 304	Aluminium
MFB-EE	= 1.4301 / 304	Stainless steel 1.4301 / 304

Wiring connection



002-AP01

Use

Level indicator for dusty, powdery, granulated and grained bulk goods with a maximum grain size of 100 mm and a bulk density from 0.3 t/m³ ... 2.5 t/m³.

Mode of operation

The bulk goods presses with its weight against the membrane. A tappet directly transfers the pressure from the membrane to the switch. When the bulk goods are decreasing, pressure is taken off the membrane and the switch will be interconnected.

Construction

The aluminium housing carries a membrane which is held in place by a mounting ring. The membrane is transferring the pressure via a tappet onto a switch. Sensitivity is adjustable by a spring.

Technical data

Materials	Housing	Aluminium
	Membrane	- N. NBR - V. VITON
	Membrane	- E. Stainless steel 1.4301 / 304
	Mounting ring	- A. Aluminium - E. Stainless steel 1.4301 / 304
Bulk goods temperature	NBR	-20 °C ... +80 °C
	VITON	-20 °C ... +150 °C
	Stainless steel 1.4301 / 304	-20 °C ... +200 °C
Ambient temperature	T_a	-20 °C ... +80 °C
Signal contact		change-over contact, potentialfree
Capacity of the contact	Contact	4 A / 250 V ~ (AC)
Switching voltage		24 V...250 V AC or 12 V...125 V DC
Response delay		none
Sensitivity	with Membrane made of	NBR adjustable from 100 g ... 200 g VITON adjustable from 100 g ... 200 g Stainless steel 1.4301 / 304 adjustable from 200 g ... 500 g
Cable entry		Gland M20x1.5
Type of protection	DIN EN 60529	IP
		IP40 if cable gland is downwards IP53 with stainless steel membrane IP65 with stainless steel membrane
Weight		1.85 kg
Maintenance		none
Installation		any position

ATEX-Option
with stainless steel membrane only



B0 Dust II 3D Ex tc IIIC T80 °C

Subject to modification