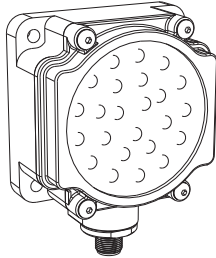


Datasheet

Large, Multicolor, Daylight Visible General Purpose Solid ON or Flashing Indicator



- Multicolor, single segment
- 1-, 2-, or 3-color models available; 6 available colors
- DIP switches adjust solid ON or flashing for each color
- Two user-selectable flash rates
- 12 V dc to 30 V dc operation
- Flat-mount

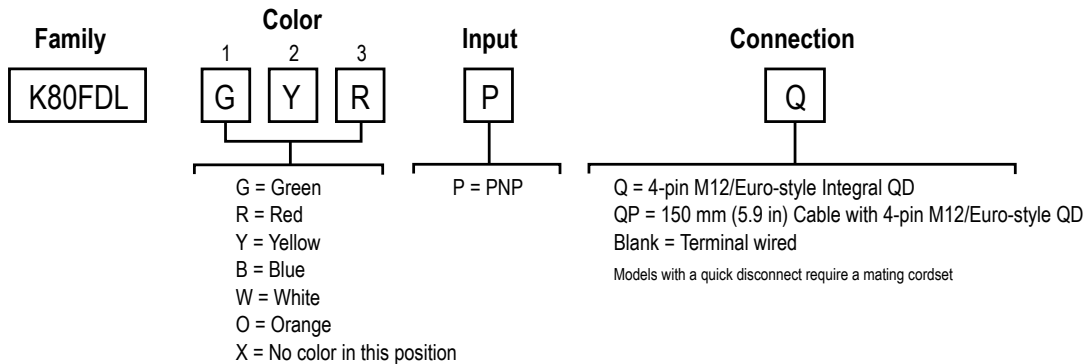


WARNING: Not To Be Used for Personnel Protection

Never use this device as a sensing device for personnel **protection**. Doing so could lead to serious injury or death. This device does not include the self-checking redundant circuitry necessary to allow its use in personnel safety applications. A sensor failure or malfunction can cause either an energized or de-energized sensor output condition.

Models

K80FDL Models



Example Model	# of LED Colors	LED Indicators	Connection
K80FDLGXXPQ	1	Green	Integral 4-pin M12/Euro-style QD
K80FDLRXXPQ		Red	
K80FDLGRXP	2	Green, Red	Terminal-wired
K80FDLGYXP		Green, Yellow	
K80FDLGRYPQP	3	Green, Red, Yellow	150 mm (6 in) PVC cable with 4-pin M12/Euro-style QD

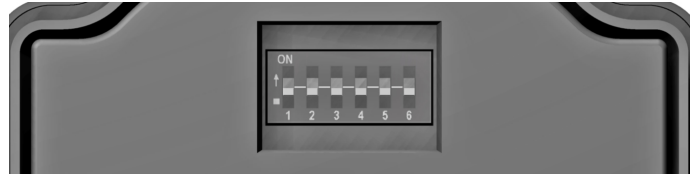


Setup for Solid ON or Flash



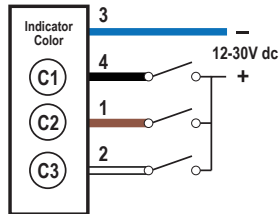
Note: The Program DIP switch is located inside the cover.

Remove the four screws to remove the cover.



Switch Number	Position	Function	Switch Number	Position	Function
1	ON	No function	4	ON	Color 2 flash
	OFF			Color 2 solid ON	
2	ON	No function	5	ON	Color 3 flash
	OFF			Color 3 solid ON	
3	ON	Color 1 flash	6	ON	Flash rate 1 Hz
	OFF	Color 1 solid ON		OFF	Flash rate 2 Hz

Wiring Diagram



Wiring Key

- 1 = Brown
- 2 = White
- 3 = Blue
- 4 = Black

Specifications

Supply Voltage and Current

- 12 V dc at 140 mA max.
- 30 V dc at 60 mA max.

Adjustments

- 6-position Program DIP switch on the back of the indicator cover
- For normal operation, no adjustment should be necessary; these switches should remain all in the down position
- For alternate operation (flash functionality), see Setup for Solid ON or Flash section

Construction

- Base: Polycarbonate
- Translucent Face: Acrylic

Connections

- Integral 4-pin M12/Euro-style quick disconnect; 150 mm (6 in) PVC cable with quick disconnect; or terminal-wired, depending on model
- Optional ½-14 NPSM cord grip model BWA-CG.5-1

Environmental Rating

- IEC IP67

Operating Conditions

- 40 °C to +50 °C (-40 °F to +122 °F)

Indicators

- 1, 2, or 3 colors, depending on model

Input Response Time

- 10 ms max.

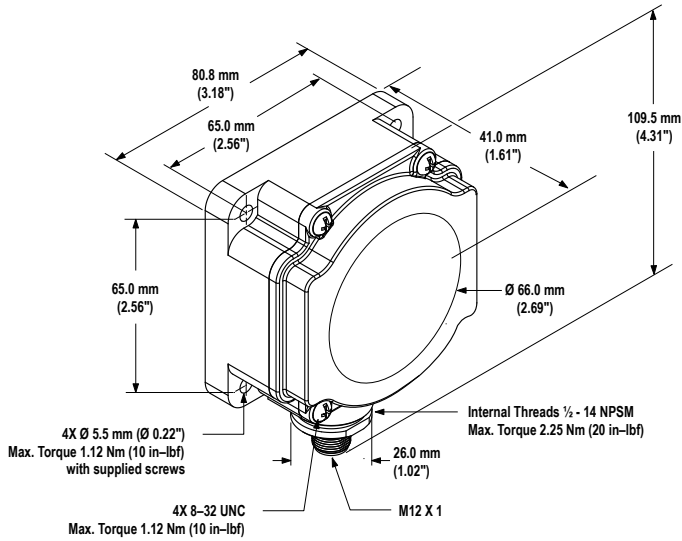
Indicator Characteristics

Color	Dominant Wavelength (nm) or Color Temperature (CCT)	Lumen Output (Typical at 25 °C)
Green	525 nm	39
Red	630 nm	28
Yellow	589 nm	23
Blue	470 nm	8.5
Orange	606 nm	18
White	6000 K	71

Certifications



Dimensions



Accessories

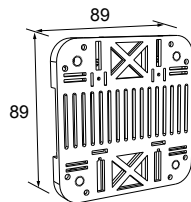
4-Pin Euro-Style Cordsets

4-Pin Threaded M12/Euro-Style Cordsets				
Model	Length	Style	Dimensions	Pinout (Female)
MQDC-406	1.83 m (6 ft)	Straight		<p>1 = Brown 2 = White 3 = Blue 4 = Black</p>
MQDC-415	4.57 m (15 ft)			
MQDC-430	9.14 m (30 ft)			
MQDC-450	15.2 m (50 ft)			
MQDC-406RA	1.83 m (6 ft)	Right-Angle		
MQDC-415RA	4.57 m (15 ft)			
MQDC-430RA	9.14 m (30 ft)			
MQDC-450RA	15.2 m (50 ft)			

Bracket

SMBDX80DIN

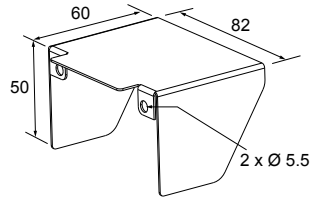
Black reinforced thermoplastic
Bracket for mounting on a 35
mm DIN rail



Sun Shield

K80DS

- Use for enhanced visibility to shade the unit from direct sunlight
- Black painted steel



Banner Engineering Corp. Limited Warranty

Banner Engineering Corp. warrants its products to be free from defects in material and workmanship for one year following the date of shipment. Banner Engineering Corp. will repair or replace, free of charge, any product of its manufacture which, at the time it is returned to the factory, is found to have been defective during the warranty period. This warranty does not cover damage or liability for misuse, abuse, or the improper application or installation of the Banner product.

THIS LIMITED WARRANTY IS EXCLUSIVE AND IN LIEU OF ALL OTHER WARRANTIES WHETHER EXPRESS OR IMPLIED (INCLUDING, WITHOUT LIMITATION, ANY WARRANTY OF MERCHANTABILITY OR FITNESS FOR A PARTICULAR PURPOSE), AND WHETHER ARISING UNDER COURSE OF PERFORMANCE, COURSE OF DEALING OR TRADE USAGE.

This Warranty is exclusive and limited to repair or, at the discretion of Banner Engineering Corp., replacement. IN NO EVENT SHALL BANNER ENGINEERING CORP. BE LIABLE TO BUYER OR ANY OTHER PERSON OR ENTITY FOR ANY EXTRA COSTS, EXPENSES, LOSSES, LOSS OF PROFITS, OR ANY INCIDENTAL, CONSEQUENTIAL OR SPECIAL DAMAGES RESULTING FROM ANY PRODUCT DEFECT OR FROM THE USE OR INABILITY TO USE THE PRODUCT, WHETHER ARISING IN CONTRACT OR WARRANTY, STATUTE, TORT, STRICT LIABILITY, NEGLIGENCE, OR OTHERWISE.

Banner Engineering Corp. reserves the right to change, modify or improve the design of the product without assuming any obligations or liabilities relating to any product previously manufactured by Banner Engineering Corp. Any misuse, abuse, or improper application or installation of this product or use of the product for personal protection applications when the product is identified as not intended for such purposes will void the product warranty. Any modifications to this product without prior express approval by Banner Engineering Corp will void the product warranties. All specifications published in this document are subject to change. Banner reserves the right to modify product specifications or update documentation at any time. Specifications and product information in English supersede that which is provided in any other language. For the most recent version of any documentation, refer to: www.bannerengineering.com.