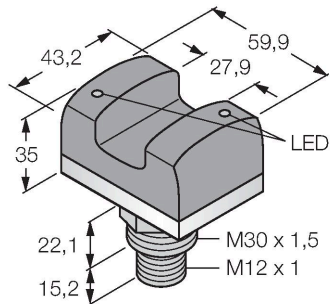


VTBP6Q

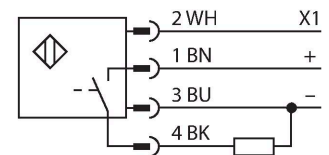
Photoelectric Sensor – Touch Switch With Light



Features

- Male M12 × 1
- Highly visible request lamp
- Color request light: Green
- Operating voltage 12...30 VDC
- PNP switching output
- Activating input of job light, 10...30 VDC
- Pre-assembled protective cover

Wiring diagram



Functional principle

The optical touch switch is used frequently for commissioning tasks. The highly visible socket lamp is externally triggered in order to indicate the next work step. The ergonomically formed touch switch is activated force-free, by interrupting an integrated opposed mode sensor. Unlike mechanical pushbuttons, the efficiency of the operator is increased without strain on the hand, wrist and arm with repeated operation. The response request lamp can be connection programmed to flash or light continuously and is activated via the X1 line.

Technical data

Type	VTBP6Q
ID	3067505
Function	Touch Button
Light type	IR
Number of beams	1
Switch Function	Momentary
Features of color 1	Green, Miscellaneous
Electrical data	
Operating voltage	12...30 VDC
Max. current consumption per color	120 mA
Output function	NO contact, PNP
Input type	Bipolar (PNP/NPN)
Response time typical	< 100 ms
Mechanical data	
Design	Rectangular, VTB
Dimensions	59.9 x 43.2 x 48 mm
Housing material	Plastic, Thermoplastic polysulphone, Black
Window material	Polycarbonate, diffuse
Electrical connection	Connector, M12 × 1, PVC
Number of cores	4
Ambient temperature	-20...+50 °C
Relative humidity	0...90 %
Protection class	IP66

Technical data

Tests/approvals

MTTF	63 years
------	----------
