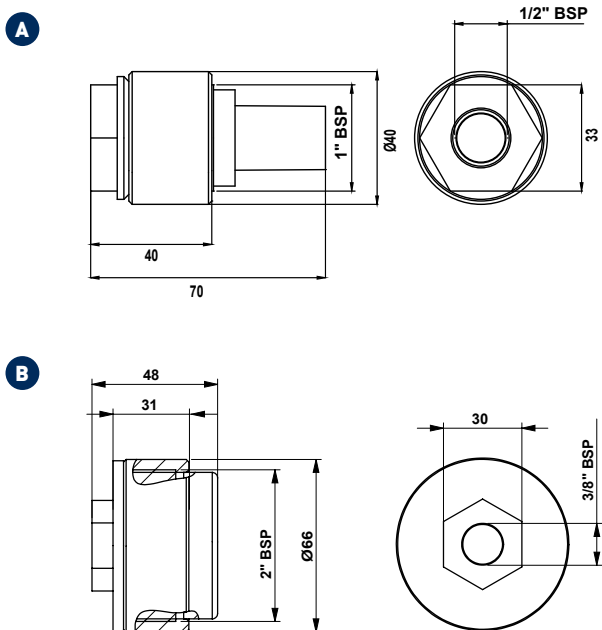




U - Aeration nozzles



FEATURES					
Type	Drawings	Air consumption			
		0.2 bar (2.9 psi)		1 bar (14 psi)	
		l/min	Cfm	l/min	Cfm
U025	A	0.83	0.03	-	-
U060	B	-	-	30	1.1

U - AERATION NOZZLES

APPLICATION	Hopper and silo - piping
POWDER	Fine and dust (cement and lime)
PROBLEM SOLVING	Bridge and rat-holing

FEATURES

DUTY CYCLE	Continuous
WORKING PRESSURE	From 0.2 bar to 1 bar (from 2.9 psi to 14 psi)
PNEUMATIC CIRCUIT	Filter + flow control valve
AIR SUPPLY QUALITY	Class 5.4.1.
WORKING TEMPERATURE	From -20°C to 80°C (from -4°F to 176°F)
TECHNOLOGY	Fluidification
MATERIAL	U060 - ring carbon steel, sintered PE filter, PS body U025 - ring carbon steel, sintered brass filter, PE body

This information is furnished without warranty, representation, inducement or license of any kind. It is accurate to the best OLI knowledge or is obtained from sources believed to be accurate. OLI therefore assumes no legal responsibility.

