

NUMERO DI ELEMENTI  
Number of Element

FLANGIA- FLANGE

ALBERO- SHAFT

CORPO-BODY

COPERCHIO- COVER

CILINDRATE - DISPLACEMENT

9 M 2 02

E

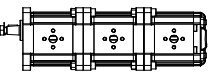
C

A

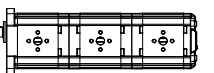
51

47

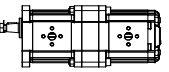
**M STANDARD**



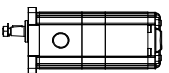
**S SAGOMATA BODY SHAPED**



**T TENUTE SEPARATE SEPARATE STAGE**



**A ASPIRAZIONE UNICA SINGLE INLET**

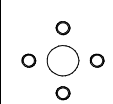


Rotazione Sinistra Left Rotation		Rotazione Destra Right Rotation	
01	ø 22- Standard	02	
11	ø 22- Sagomata - Shaped	12	
01	ø 25,4	02	
11	ø 30	12	
31	ø 32 'BH'	32	
41	ø 32 'BH'	42	
51	ø 32 'HY'	52	
61	ø 50,8 SAE 'AA'	62	
01	ø 36,5	02	
11	ø 50 'BH'	12	
21	ø 50 'HY'	22	
31	ø 52 'BH'	32	
41	ø 80	42	
51	ø 82,5 SAE 'A'	52	
01	ø 50,8	02	
31	ø 101,6 SAE 'B'	32	

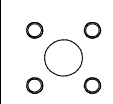
XV-0  
XV-1  
XV-2  
XV-3

XV-0P	XV-1P	XV-2P	XV-3P
[A] - CI001 - Cilindrico - Parallel ø 7	[A] - CI001 - Cilindrico - Parallel ø12	[A] - CI001 - Cilindrico - Parallel ø15 - M6x1	[A] - COP01 - Conico - Tapered 1:8 - ø22 - M14x1.5
[B] - CF001 - Codolo fresato- Milled shank ø 7	[B] - CI002 - Cilindrico - Parallel ø12.7 (SAE )	[B] - CI002 - Cilindrico - Parallel ø15.875 - (SAE A)	[B] - CIP01 - Cilindrico - Parallel ø20 - M8
[F] - CF005 - Codolo fresato- Milled shank ø 7	[C] - CF001 - Codolo fresato- Milled shank ø10	[C] - CF001 - Codolo fresato- Milled shank ø15	[C] - SCP01 - Scanalato-Splined ø21.5, z=13
[A] - CI001 - Cilindrico - Parallel ø12	[D] - CF002 - Codolo fresato- Milled shank ø10	[E] - CO001 - Conico- Tapered 1:8 - ø17,4 - M12x1,5	
[B] - CI002 - Cilindrico - Parallel ø12.7 (SAE )	[E] - CF003 - Codolo fresato- Milled shank ø11(SAE)	[F] - CO002 - Conico- Tapered 1:5 - ø17,4 - M12x1,5	
[C] - CF001 - Codolo fresato- Milled shank ø10	[F] - CO001 - Conico- Tapered 1:8 - ø10 - M7x1	[G] - SCF02 - Scanalato-Splined ø16,5 DIN 5482	
[D] - CF002 - Codolo fresato- Milled shank ø10	[G] - CO002 - Conico- Tapered 1:8 - ø14 - M10x1	[H] - SCF03 - Scanalato-Splined ø16.5 -DIN 5482	
[E] - CF003 - Codolo fresato- Milled shank ø11(SAE)	[I] - CO004 - Conico- Tapered 1:8 - ø12.7 (SAE)	[I] - SCF04 - Scanalato-Splined ø15.456 SAEJ498 9T	
[F] - CO001 - Conico- Tapered 1:8 - ø10 - M7x1	[J] - SCF04 - Scanalato-Splined ø11,7-DIN 5482 12x9	[K] - SCF05 - Scanalato-Splined ø16.5 DIN 5482	
[G] - CO002 - Conico- Tapered 1:8 - ø14 - M10x1	[K] - SCF05 - Scanalato-Splined ø12.344,SAEJ498 9T	[L] - SCF01 - Scanalato-Splined ø16.5 DIN 5482	
[I] - CO004 - Conico- Tapered 1:8 - ø12.7 (SAE)	[L] - SCF02 - Scanalato-Splined ø11.9	[M] - CO001 - Conico- Tapered 1:8 - ø17,4 - M12x1,5	
[J] - SCF04 - Scanalato-Splined ø11,7-DIN 5482 12x9	[O] - CO002+HK-Conico-Tapered 1:8-ø14-HK 14-12		
[K] - SCF05 - Scanalato-Splined ø12.344,SAEJ498 9T	[P] - CI001+HK-Cilindrico-Parallel ø12-HK 14-12		
[L] - SCF02 - Scanalato-Splined ø11.9	[Q] - SCF01 - Scanalato-Splined ø11.9, z=15		
[O] - CO002+HK-Conico-Tapered 1:8-ø14-HK 14-12	[R] - SCF03 - Scanalato-Splined ø11.9, z=15		
[P] - CI001+HK-Cilindrico-Parallel ø12-HK 14-12			
[Q] - SCF01 - Scanalato-Splined ø11.9, z=15			
[R] - SCF03 - Scanalato-Splined ø11.9, z=15			


**C**



**Q**

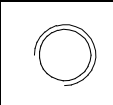


**G**




GAS

**M**



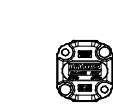
METRICA

**A**

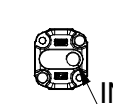


UNF

**A**




**B**




IN

**C**



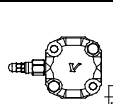
OUT

**D**



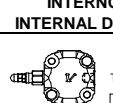
OUT IN

**N**



DRENAGGIO INTERNO  
INTERNAL DRAIN

**O**



DRENAGGIO ESTERNO  
EXTERNAL DRAIN

01	0P/0.17
02	0P/0.25
04	0P/0.45
05	0P/0.57
06	0P/0.76
07	0P/0.98
09	0P/1.27
11	0P/1.52
13	0P/2.30
16	XV-1P/0.9
17	XV-1P/1.2
18	XV-1P/1.7
20	XV-1P/2.2
21	XV-1P/2.6
23	XV-1P/3.2
25	XV-1P/3.8
27	XV-1P/4.3
29	XV-1P/4.9
31	XV-1P/5.9
32	XV-1P/6.5
34	XV-1P/7.8
36	XV-1P/9.8

41	XV-2P/4
43	XV-2P/6
45	XV-2P/9
47	XV-2P/11
49	XV-2P/14
51	XV-2P/17
53	XV-2P/19
55	XV-2P/22
57	XV-2P/26
59	XV-2P/30
61	XV-2P/34
63	XV-2P/40
66	XV-3P/15
68	XV-3P/18
70	XV-3P/21
72	XV-3P/27
74	XV-3P/32
78	XV-3P/38
79	XV-3P/43
80	XV-3P/47
81	XV-3P/51
82	XV-3P/54
83	XV-3P/61
85	XV-3P/64
86	XV-3P/70
87	XV-3P/74
89	XV-3P/90