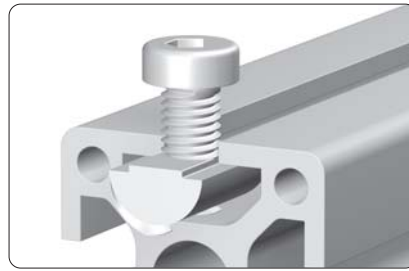


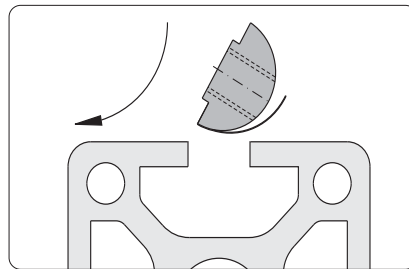
**T-Nuts  
for subsequent insertion,  
with spring**



Fixing with leaf spring

**Application**

Fastening element for screw-type connections



Insert front-sided and rotate

**Technical data**

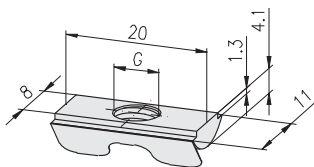
Design steel:

- material: steel
- surface: galvanised

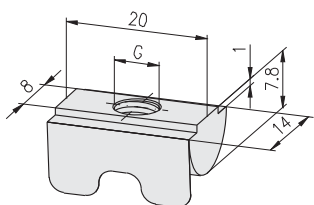
Design stainless:

- material: stainless steel 1.4305
- surface: pickled and passivated

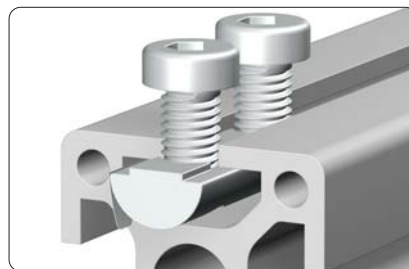
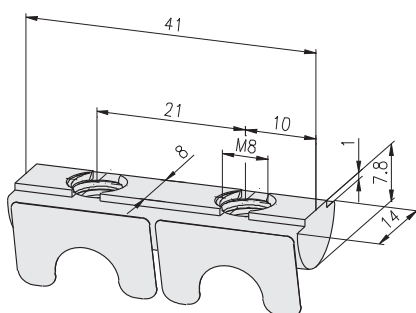
max. moment of torque:  $M_{A, max}$



Description	G	Design	$M_{A, max}$	Weight	Article-No.
T-Nut for subs. ins., w. spring F	M3	steel	1.3 Nm	5.0 g	1.32.4FM3
T-Nut for subs. ins., w. spring F	M4	steel	3.0 Nm	4.9 g	1.32.4FM4
T-Nut for subs. ins., w. spring F	M5	steel	5.0 Nm	4.6 g	1.32.4FM5
T-Nut for subs. ins., w. spring F	M6	steel	10.0 Nm	4.3 g	1.32.4FM6
T-Nut for subs. ins., w. spring F	M8	steel	10.0 Nm	3.7 g	1.32.4FM8
T-Nut for subs. ins., w. spring F	M6	stainless	10.0 Nm	4.3 g	1.32.4FM6V
T-Nut for subs. ins., w. spring F	M8	stainless	10.0 Nm	3.7 g	1.32.4FM8V



Description	G	Design	$M_{A, max}$	Weight	Article-No.
T-Nut for subs. ins., w. spring E	M3	steel	1.3 Nm	10.0 g	1.32.4EM3
T-Nut for subs. ins., w. spring E	M4	steel	3.0 Nm	10.0 g	1.32.4EM4
T-Nut for subs. ins., w. spring E	M5	steel	5.0 Nm	10.0 g	1.32.4EM5
T-Nut for subs. ins., w. spring E	M6	steel	10.0 Nm	10.0 g	1.32.4EM6
T-Nut for subs. ins., w. spring E	M8	steel	26.0 Nm	9.0 g	1.32.4EM8
T-Nut for subs. ins., w. spring E	M4	stainless	3.0 Nm	10.0 g	1.32.4EM4V
T-Nut for subs. ins., w. spring E	M5	stainless	5.0 Nm	10.0 g	1.32.4EM5V
T-Nut for subs. ins., w. spring E	M6	stainless	10.0 Nm	10.0 g	1.32.4EM6V
T-Nut for subs. ins., w. spring E	M8	stainless	26.0 Nm	9.0 g	1.32.4EM8V



Fixing with leaf spring

**Application**

- Fastening element for
- screw-type connections
- hinges, heavy, type 20, 21, 31

**Technical data**

material: steel  
 surface: galvanised  
 max. moment of torque:  $M_{A, max}$

Description	G	$M_{A, max}$	Weight	Article-No.
T-Nut for subs. ins., w. spring E	2×M8	26.0 Nm	20.3 g	1.32.4E2M8.41