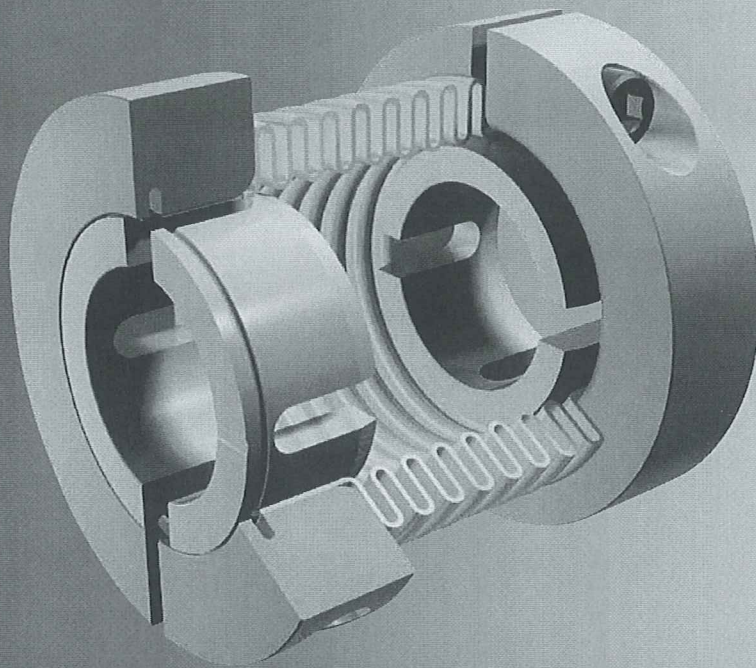


smartflex[®]

The perfect servo coupling



www.mayr.de

- *Low cost*
- *Plug-in type, variable bore diameters*
- *Larger shaft misalignment compensation capability*
- *Minimal mass moment of inertia*

K.932.V09.GB

mayr[®]
your reliable partner

smartflex®

Superior technology at a lower cost

Your advantages when using the new smartflex® coupling

Lower costs

- extremely advantageous cost/performance ratio due to the ingeniously simple construction
- time-saving installation due to simple and fast shaft securement

Higher precision

- backlash-free shaft securement
- backlash-free torque transmission
- high torsional rigidity

Faster availability

- modular construction ensures fastest possible delivery
- delivery of standard stock items within 24 hours

Compensation of much larger shaft misalignments

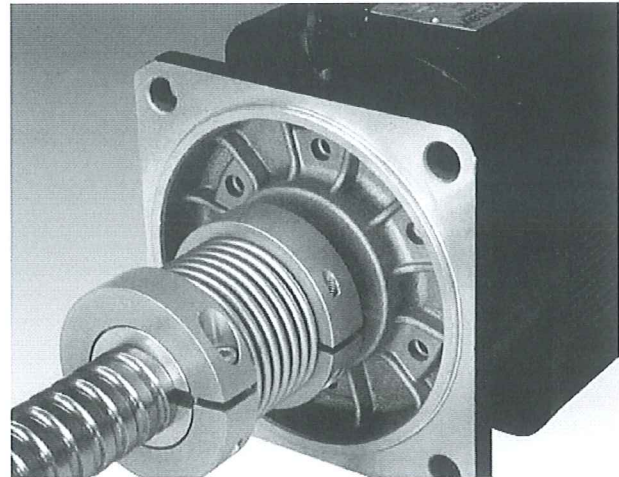
- up to three times higher misalignment compensation capability for radial shaft misalignment than on standard steel bellows couplings
- low restoring forces on the shaft bearings

More drive dynamics

- minimal mass moment of inertia
- safe torque transmission even at high speeds

Higher operational safety

- high misalignment compensation capability eliminates the most common failure causes suffered by previous steel bellows



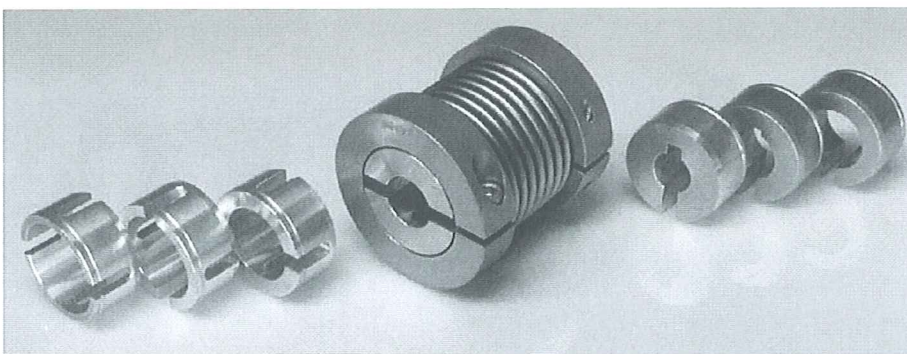
The perfect servo coupling

Backlash-free, torsionally rigid steel bellows coupling for flexible compensation of shaft misalignment

Please Observe:

According to German notation, decimal points in this catalogue are represented with a comma (e.g. 0,5 instead of 0.5).

High availability due to flexible modular construction



The smartflex® coupling steel bellows and clamping rings are the same for all designs within an installation size. They are adapted via reducing bushings to the required shaft diameter. These bushings can be engaged easily and quickly into the clamping rings.

This concept guarantees you the lowest possible storage numbers and high availability.

The Optimum Shaft Coupling for every Drive





Each drive has its own specific characteristics and therefore places different demands on the couplings which transmit the torque from one shaft to the second and which compensate for the resulting shaft misalignments. On high-speed, dynamic or reversing precision drives, in most cases only backlash-free couplings are able to meet the requirements.

mayr® power transmission has three of the most established and most attractive backlash-free shaft couplings in its programme:

- **Disk pack couplings,**
- **Steel bellows couplings** and
- **Elastomer couplings**

Therefore, mayr® offers an optimum solution for a lot of different drives.

Overview: Backlash-free Shaft Couplings Types, Designs, Characteristics

	ROBA®-DS Servo couplings	smartflex® Steel bellows couplings	ROBA®-ES Elastomer couplings	ROBA®-DS All-steel couplings
				
Flexible element	Disk pack	Steel bellows	Plastic element	Disk pack
Nominal torque range in Nm	35 - 150	16 - 700	4 - 1040	190 - 24000
Max. permitted speed in rpm	22500	10000	28000	13600
Shaft diameter in mm	10 - 45	8 - 85	6 - 80	14 - 170
Max. permanent operation temp. in °C	100	120	100	250
Torsionally rigid	x	x		x
Torsionally flexible			x	
Vibration damping			x	
Can be cominded with safety clutch	x	x	x	x
Can be integrated with torque measurement				x
Distance between shaft ends	variable	graduated	fixed	variable
Single-joint design	x		x	x
• Shaft misalignment compensation axial	x		x	x
• Shaft misalignment compensation radial			x	
• Shaft misalignment compensation angular	x		x	x
Double-joint design	x	x		x
• Shaft misalignment compensation axial	x	x		x
• Shaft misalignment compensation radial	x	x		x
• Shaft misalignment compensation angular	x	x		x
ATEX-design acc. 94/9 EC	x		x	x
Product catalogue	K.950.V__GB	K.932.V__GB	K.940.V__GB	K.950.V__GB

Standard Design

Short Construction Length

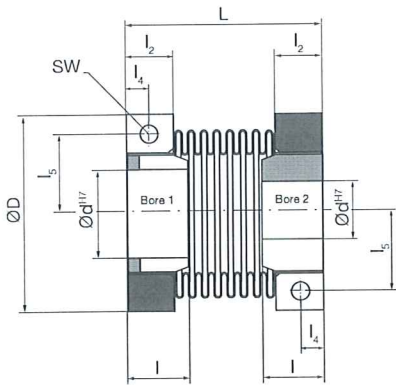


Fig. 1: Type 932.333

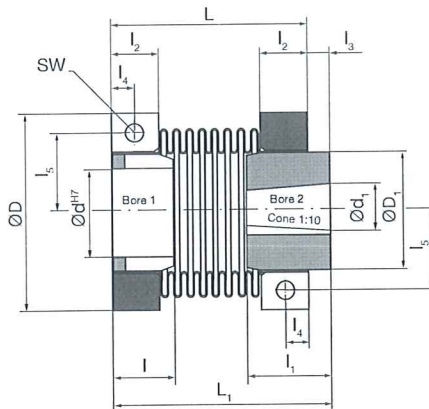


Fig. 2: Type 932.343
(only sizes 1 and 2)

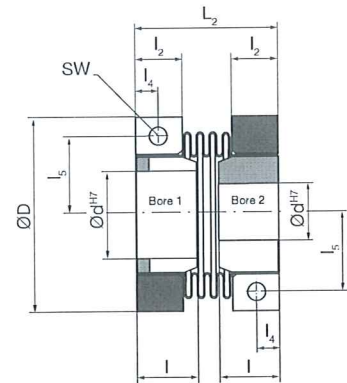


Fig. 3: Type 932.433
(only sizes 1 - 5)
(reducing bushing with tapered bore on request)

Technical Data				Size						
				0	1	2	3	4	5	
Nominal torque	T_{KN}	[Nm]	16	40	100	200	400	700		
Minimum hub bore ¹⁾	d_{min}	[mm]	8	11	16	18	30	40		
Maximum hub bore ¹⁾	d_{max}	[mm]	19	25	36	50	62	85		
Tapered hub bore	d_1	[mm]	-	16	16	-	-	-		
Maximum speed	n_{max}	[rpm]	10000	8000	6000	4000	3000	2500		
Screws	tightening torque ± 5%	T_A	[Nm]	10	14	17	41	77	133	
	wrench opening	SW	[mm]	4	5	5	6	8	10	
Permitted misalignments ²⁾	permitted axial displacement	Type 932.3_3	ΔK_a	[mm]	0,4	0,6	0,8	0,8	0,8	0,6
		Type 932.433	ΔK_a	[mm]	-	0,3	0,4	0,4	0,6	0,6
	permitted radial misalignments	Type 932.3_3	ΔK_r	[mm]	0,3	0,4	0,5	0,5	0,5	0,5
		Type 932.433	ΔK_r	[mm]	-	0,1	0,1	0,1	0,1	0,1
	permitted angular misalignments	Type 932.3_3	ΔK_w	[°]	3	3	3	3	1,5	1,0
		Type 932.433	ΔK_w	[°]	-	1,5	1,5	1,5	1,2	1,0
Spring stiffness	axial spring stiffness	Type 932.3_3	C_{ax}	[N/mm]	50	70	90	120	172	156
		Type 932.433	C_{ax}	[N/mm]	-	140	180	240	175	187
	torsion	Type 932.3_3	C_T	[Nm/rad]	4000	9000	22000	50000	125000	305000
		Type 932.433	C_T	[Nm/rad]	-	18000	44000	100000	168000	380000

1) Please observe transmittable torques and preferred bores according to Tables 1 and 2 on page 5.
2) The permitted misalignments must not simultaneously reach the maximal values.

Dimension [mm]	Size					
	0	1	2	3	4	5
D	46	57	72	94	118	146
D ₁	-	29,9	42,2	-	-	-
L	49,5	59,3	72	90,3	115	124
L ₁	-	71,5	82	-	-	-
L ₂	-	43,7	52,5	65,6	87	98
l	15	18	20	26	32	36
l ₁	-	30	30	-	-	-
l ₂	13	15	17	22	28	31
l ₃	-	12	10	-	-	-
l ₄	6,5	7,5	9	11,5	14	15,5
l ₅	15,2	20	27	34,5	44	56

Mass moment of inertia [10 ⁻⁶ kgm ²]	Size					
	0	1	2	3	4	5
Type 932.333	36	104	330	1210	3420	8450
Type 932.343	-	107	340	-	-	-
Type 932.433	-	94	290	1060	3290	8400

Weight [kg]	Size					
	0	1	2	3	4	5
Type 932.333	0,132	0,245	0,467	1,00	1,80	2,80
Type 932.343	-	0,265	0,521	-	-	-
Type 932.433	-	0,217	0,400	0,876	1,70	2,73

Transmittable torques of the clamping connection - dependent on bore - Type 932..._3

	Bore	Size					
		0	1	2	3	4	5
	Ø8	9,6	-	-	-	-	-
	Ø9	11	-	-	-	-	-
	Ø11	14	24	-	-	-	-
	Ø12	16	26	-	-	-	-
	Ø14	16	31	-	-	-	-
	Ø16	16	35	60	-	-	-
	Ø18	16	39	68	120	-	-
	Ø19	16	40	72	127	-	-
Frictionally-locking transmittable torques of the clamping connection	Ø20	-	40	75	133	-	-
	Ø22	-	40	84	147	-	-
	Ø25	-	40	100	167	-	-
	Ø28	-	-	100	187	-	-
	Ø30	-	-	100	200	240	-
	Ø32	-	-	100	200	256	-
	Ø35	-	-	100	200	280	-
	Ø36	-	-	100	200	290	-
	Ø38	-	-	-	200	305	-
	Ø40	-	-	-	200	320	420
	Ø42	-	-	-	200	340	440
	Ø45	-	-	-	200	360	475
	Ø48	-	-	-	200	390	510
	Ø50	-	-	-	200	400	530
	Ø55	-	-	-	-	400	580
	Ø60	-	-	-	-	400	640
	Ø62	-	-	-	-	400	660
	Ø65	-	-	-	-	-	690
	Ø70	-	-	-	-	-	700
	Ø75	-	-	-	-	-	700
Ø80	-	-	-	-	-	700	
Ø85	-	-	-	-	-	700	

Table 1

Preferred bores

	Size																				
	0		1		2		3			4			5								
Preferred bores Ø d ^{H7}	-	10	-	20	-	20	30	-	20	30	40	50	30	40	50	60	40	50	60	70	80
	-	11	11	-	-	-	-	-	-	-	-	-	-	-	-	-	-	-	-	-	-
	-	12	12	22	-	22	32	-	22	32	42	-	32	42	-	62	42	-	62	-	-
	-	-	13	-	-	-	-	-	-	-	-	-	-	-	-	-	-	-	-	-	-
	-	14	14	24	-	24	-	-	24	-	-	-	-	-	-	-	-	-	-	-	-
	-	15	15	25	-	25	35	-	25	35	45	-	35	45	55	-	45	55	65	75	85
	-	16	16	-	16	26	36	-	26	36	-	-	36	48	-	-	-	-	-	-	-
	-	-	-	-	17	27	-	-	27	-	-	-	-	-	-	-	-	-	-	-	-
	8	18	18	-	18	28	-	18	28	38	48	-	38	-	-	-	48	-	-	-	-
	9	19	19	-	19	-	-	19	-	-	-	-	-	-	-	-	-	-	-	-	-

Table 2

Order number

△	/	9	3	2	.	△	△	3	/	△	/	△
Size 0 to 5			long steel bellows	3		3	Cylindrical bores on both sides			Bore 1 Ø d ^{H7}		Bore 2 Ø d ₁
			short steel bellows	4		4	Cylindrical bore and tapered bore			(see Table page 4)		(see Table page 4)

Example: 2 / 932.343 / Ød 20 / Ød₁ 16

Size Selection

Coupling size selection

Please carry out dimensioning using Diagram 1 (Sizes 0 – 2) or Diagram 2 (Sizes 3 – 5) with "Torque M (Nm)" and "Misalignment (%)":

1. Determining the co-ordinates "torque M":

- Find the maximum operating torque.
- Multiply the operating torque with the values from Table 3 (temperature factor) and Table 4 (service factor) (interpolate the interim values).

2. Determining the co-ordinates "misalignment":

- Determine the individual shaft misalignments in %, measured using the "Permitted shaft misalignments" for the intended coupling size (see Technical Data, page 4).
Example for size 2: 0,2 mm axial displacement is 25 % of the permitted value 0,8 mm.
- Add together the individual percent values. The sum total must be below 100 %.

3. Write both the defined co-ordinate values into the respective diagram.

The point of intersection must lie below the characteristic curve of the intended coupling size.

4. If the point of intersection lies above the characteristic curve,

- choose a larger coupling,
- reduce the shaft misalignments or
- contact the manufacturers.

Diagram 1
Sizes 0 - 2

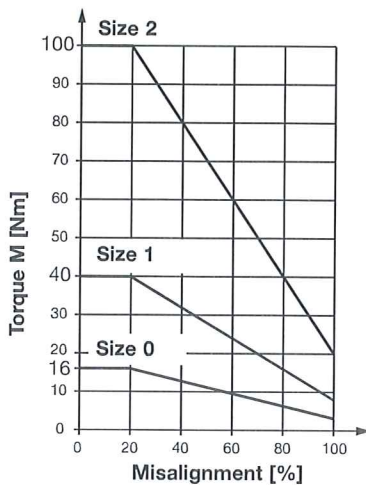
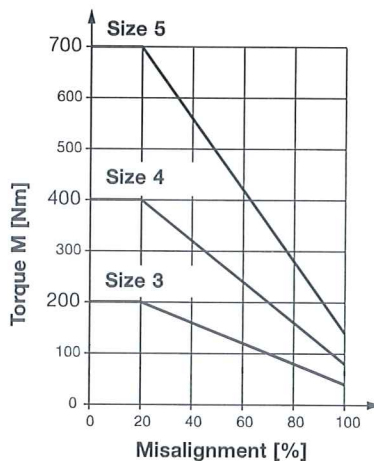


Diagram 2
Sizes 3 - 5



Technical Explanations

Parts List

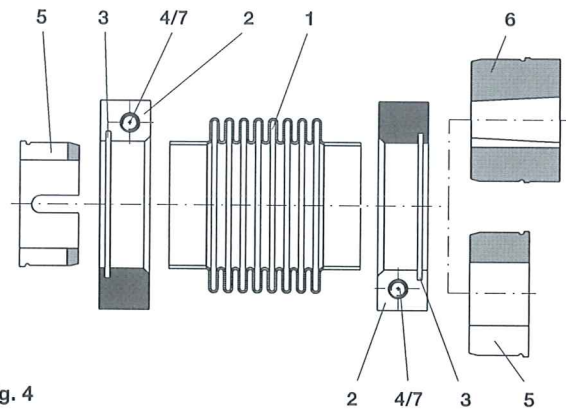


Fig. 4

- | | |
|------------------|--------------------------------------|
| 1 Steel bellows | 5 Reducing bushing |
| 2 Clamping ring | 6 Reducing bushing with tapered bore |
| 3 Holding spring | 7 Washer |
| 4 Cap screw | |

State of Delivery

- packed individually in folding boxes, or
- plugged together and secured with cable ties
- Bores in the reducing bushings (5) and reducing bushing with tapered bore (6) have H7 tolerances

Adapting to the Shaft Diameter

The reducing bushing (5) can be pressed out of the clamping ring (2) using axial pressure (manually or with a small hand press) and replaced.

Shaft Requirements

- Surface quality: 1,6 µm
- Run-out accuracy: 0,01 mm
- Minimum tensile strength: 500 N/mm²
- Tolerance: h6

For all other tolerances, please contact the manufacturer.

Function

smartflex®-couplings transmit the torque backlash-free and compensate for radial, axial and angular shaft misalignments.

Temperature Resistance

Resistant against permanent temperatures of up to 120 °C (devices resistant to higher temperatures available on request)

Installation Position

Can be defined by the user.

	Temperature			
	50 °C	80 °C	100 °C	120 °C
Temperature factor f_t	1	1,1	1,2	1,3

Table 3

	Load		
	Even	Uneven	Impact
Service factor f_b	1,5	2	2,5 - 4

For drives in machine tools (servo motors), we recommend f_b values of 1,5

Table 4

Short Description – Coupling Installation

For a detailed installation description, please see the Installation and Operational Instructions corresponding to the respective product B.9.8.GB.

Important Installation Guidelines

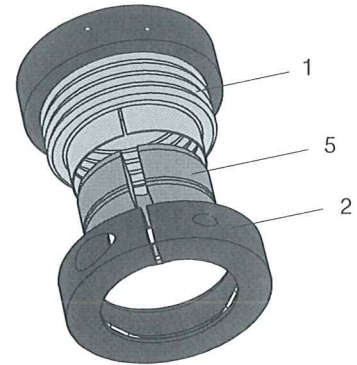
- Wash off the conserving layer in the bores with paraffin, white spirit, cleaner solvent or similar.
- The bores and the shafts must be grease and oil-free.
- The permitted shaft misalignment must not be exceeded.
- Avoid damage to the steel bellows (1) before and during installation.
- The clamping ring (2) with the holding spring (3) must be engaged in the reducing bushing (5) or reducing bushing with tapered bore (6).
- If a reducing bushing is dismantled or re-installed more than 5 times, the snap ring groove may deform, making it unpermitted for use.
- In order to transfer the defined torques in Table 1 (page 5) correctly, the slots in the steel bellows (1), clamping ring (2) and reducing bushing (5) must be aligned (see Fig. 5).

Coupling Installation Type 932.333 (Fig. 1, page 4) and Type 932.433 (Fig. 3, page 4)
– see also Fig. 6 and Fig. 8

1. Please ensure that the coupling can be easily pushed onto both shafts.
2. Push the entire coupling over the whole length of the reducing bushing (5) onto a shaft.
3. Make sure that the steel bellows (1) is pushed between the clamping ring (2) and the reducing bushing (5) up to its limit, and that the slots in the steel bellows (1), clamping ring (2) and reducing bushing (5) are aligned (see Fig. 5).
4. Tighten the cap screw (4). The screw tightening torques (see Technical Data) must be observed.
5. Push the second shaft over the entire length of the reducing bushing (5) into the coupling.
6. Make sure that the steel bellows (1) is pushed between the clamping ring (2) and the reducing bushing (5) up to its limit, and that the slots in the steel bellows (1), clamping ring (2) and reducing bushing (5) are aligned (see Fig. 5).
7. Tighten the cap screw (4). The screw tightening torques (see Technical Data, page 4) must be observed.

Coupling Installation Type 932.343 (Fig. 2, page 4)
– see also Fig. 7 and Fig. 8

1. Remove the clamping ring (2) with the protruding reducing bushing with tapered bore (6) from the coupling.
2. If necessary, insert the key into the conical shaft.
3. Push the reducing bushing with tapered bore (6) onto the conical shaft.
4. Secure the hub a using a nut or a screw with press cover.
5. Push the rest of the coupling with the open steel bellows side up to its limit between the clamping ring (2) and reducing bushing with tapered bore (6).
6. Tighten the cap screw (4). The screw tightening torque (see Technical Data, page 4) must be observed.
7. Push the second shaft over the entire length of the reducing bushing (5) into the coupling.
8. Make sure that the steel bellows (1) is pushed between the clamping ring (2) and the reducing bushing (5) up to its limit, and that the slots in the steel bellows (1), clamping ring (2) and reducing bushing (5) are aligned. (see Fig. 5).
9. Tighten the cap screws (4). The screw tightening torques (see Technical Data, page 4) must be observed.



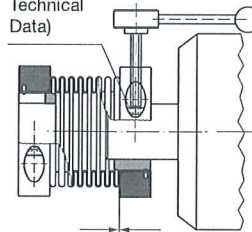
Important!

The slots in the steel bellows (1), clamping ring (2) and reducing bushing (5) must be aligned.

Fig. 5

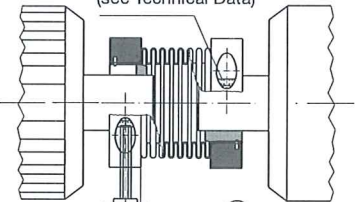
Coupling Installation onto Cylindrical Shaft

Cap screw (4)
Observe tightening torque!
(see Technical Data)



Steel bellows (1) and clamping ring (2) up to limit

Cap screw (4)
Observe tightening torque!
(see Technical Data)



Steel bellows (1) and clamping ring (2) up to limit

Fig. 6

Coupling Installation onto Conical Shaft

Cap screw (4)
Observe tightening torque!
(see Technical Data)

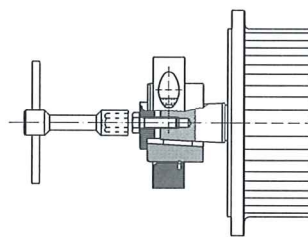
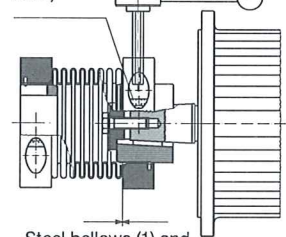


Fig. 7



Steel bellows (1) and clamping ring (2) up to limit

Coupling Installation into a Bell-Type Housing

Apply the tools carefully.
The clamping ring (2) is not secured against turning

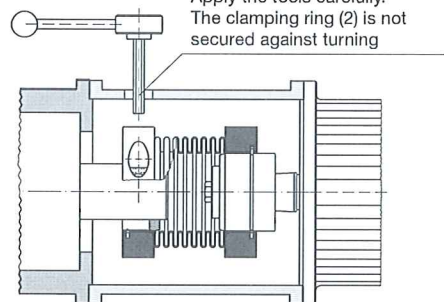


Fig. 8

Headquarters

Chr. Mayr GmbH + Co. KG
Eichenstrasse 1, D-87665 Mauerstetten
Tel.: 0 83 41/8 04-241, Fax: 0 83 41/80 44 22
www.mayr.de, eMail: info@mayr.de



mayr®

Service Germany

Baden-Württemberg

Esslinger Straße 7
70771 Leinfelden-Echterdingen
Tel.: 07 11/45 96 01 0
Fax: 07 11/45 96 01 10

Bavaria

Eichenstrasse 1
87665 Mauerstetten
Tel.: 0 83 41/80 41 04
Fax: 0 83 41/80 44 23

Chemnitz

Bornaer Straße 205
09114 Chemnitz
Tel.: 03 71/4 74 18 96
Fax: 03 71/4 74 18 95

Franken

Unterer Markt 9
91217 Hersbruck
Tel.: 0 91 51/81 48 64
Fax: 0 91 51/81 62 45

Hagen

Im Langenstück 6
58093 Hagen
Tel.: 0 23 31/78 03 0
Fax: 0 23 31/78 03 25

Kamen

Lünener Strasse 211
59174 Kamen
Tel.: 0 23 07/23 63 85
Fax: 0 23 07/24 26 74

North

Schiefer Brink 8
32699 Extertal
Tel.: 0 57 54/9 20 77
Fax: 0 57 54/9 20 78

Rhine-Main

Jägerstrasse 4
64739 Höchst
Tel.: 0 61 63/48 88
Fax: 0 61 63/46 47

Branch office

China

Mayr Zhangjiagang
Power Transmission Co., Ltd.
Changxing Road No. 16,
215600 Zhangjiagang
Tel.: 05 12/58 91-75 62
Fax: 05 12/58 91-75 66
info@mayr.cn

Great Britain

Mayr Transmissions Ltd.
Valley Road, Business Park
Keighley, BD21 4LZ
West Yorkshire
Tel.: 0 15 35/66 39 00
Fax: 0 15 35/66 32 61
sales@mayr.co.uk

France

Mayr France S.A.
Z.A.L. du Minopole
BP 16
62160 Bully-Les-Mines
Tel.: 03.21.72.91.91
Fax: 03.21.29.71.77
contact@mayr.fr

Italy

Mayr Italia S.r.l.
Viale Veneto, 3
35020 Saonara (PD)
Tel.: 0 49/8 79 10 20
Fax: 0 49/8 79 10 22
info@mayr-italia.it

Singapore

Mayr Transmission (S) PTE Ltd.
No. 8 Boon Lay Way Unit 03-06,
TradeHub 21
Singapore 609964
Tel.: 00 65/65 60 12 30
Fax: 00 65/65 60 10 00
info@mayr.com.sg

Switzerland

Mayr Kupplungen AG
Tobeläckerstrasse 11
8212 Neuhausen am Rheinfall
Tel.: 0 52/6 74 08 70
Fax: 0 52/6 74 08 75
info@mayr.ch

USA

Mayr Corporation
4 North Street
Waldwick
NJ 07463
Tel.: 2 01/4 45-72 10
Fax: 2 01/4 45-80 19
info@mayrcorp.com

Representatives

Australia

Transmission Australia Pty. Ltd.
22 Corporate Ave,
3178 Rowville, Victoria
Australien
Tel.: 0 39/7 55 44 44
Fax: 0 39/7 55 44 11
info@transaus.com.au

China

Mayr Shanghai
Representative Office
Room 506, No. 1007,
Zhongshan South No. 2 Road
200030 Shanghai, VR China
Tel.: 0 21/64 57 39 52
Fax: 0 21/64 57 56 21
sales@mayr.com.cn

India

National Engineering
Company (NENCO)
J-225, M.I.D.C.
Bhosari Pune 411026
Tel.: 0 20/27 47 45 29
Fax: 0 20/27 47 02 29
nenco@nenco.org

Japan

MATSUI Corporation
2-4-7 Azabudai
Minato-ku
Tokyo 106-8641
Tel.: 03/35 86-41 41
Fax: 03/32 24 24 10
k.goto@matsui-corp.co.jp

South Africa

Torque Transfer
Private Bag 9
Elandsfontein 1406
Tel.: 0 11/3 45 80 00
Fax: 0 11/9 74 05 24
torque@bearings.co.za

South Korea

Mayr Korea Co. Ltd.
no. 302, 3rd floor, Kyoungnam
Taxi Mutual Aid Association Hall,
209-3, Myoung-Seo Dong,
Changwon, Korea
Tel.: 0 55/2 62-40 24
Fax: 0 55/2 62-40 25
info@mayrkorea.com

Taiwan

German Tech Auto Co., Ltd.
No. 162, Hsin sheng Road,
Taishan Hsiang,
Taipei County 243, Taiwan R.O.C.
Tel.: 02/29 03 09 39
Fax: 02/29 03 06 36
steve@zfgta.com.tw

Machine tools

Applications in China
DTC. Co.Ltd.,
Block 5th, No. 1699,
East Zhulu Road,
201700 Shanghai, China
Tel.: 021/59883978
Fax: 021/59883979
dtcshanghai@online.sh.cn

More representatives:

Austria, Benelux States, Brazil, Canada, Czech Republic, Denmark, Finland, Greece, Hongkong, Hungary, Indonesia, Israel, Malaysia, New Zealand, Norway, Philippines, Poland, Romania, Russia, Slovakia, Slovenia, Spain, Sweden, Thailand, Turkey

You can find the complete address for the representative responsible for your area under www.mayr.de in the internet.

mayr®
your reliable partner