

## SensiCO PX 300



**Sensor for measuring carbon monoxide (CO) concentration**

### General

**SensiCO PX 300 is a reliable sensor for measuring carbon monoxide (CO) concentration in locations, such as a car park, a garage, or others.**

**As CO, a dangerous poisonous gas, has no smell, taste or color, it is important to install SensiCO PX300, as a total protection from CO poisoning.**

**When CO concentration exceeds 50 PPM, a signal to the ventilation system is activated and an alarm is sent to the car park management/control.**

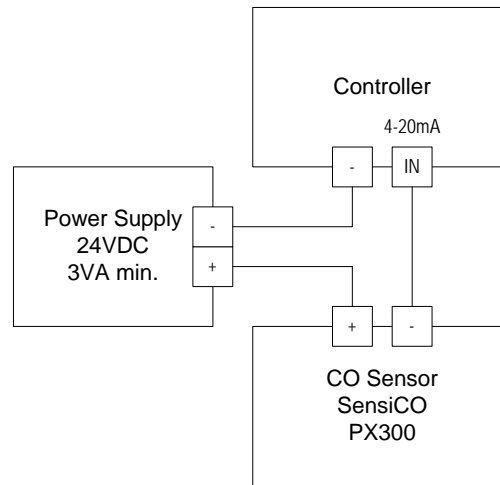
**SensiCO PX 300 may be connected to a self control system or to the B.M.S. (Building Management System), using its analog input.**

### Features

- Approval / Certification: TÜV per VDI – 2053 (Air treatment systems for car parking)
- Detection principle: Electro-chemical
- Operation: Continuous
- Gas entry: by diffusion
- Measuring range: 0-300 ppm CO in air
- Reproducibility : < 3 ppm
- Response time 90: < 60 sec
- Cross sensitivity: < 2% on 300 ppm CO according VDI 2053
- Linearity: < 2% on 300 ppm CO according VDI 2053
- Operating temperature range: -10°C to +40°C
- Humidity range: 15 - 95% relative humidity, non condensating
- Signal: 4-20 mA, max. load 300Ω
- Connection: 2 – wire
- Zero adjustment: Automatic, calibration free
- Sensitivity adjustment: via potentiometer
- R.F.I According EN 50 081-1 resp. EN 50 082-2 B
- Filter: For dust and water protection



### Electrical Diagram



### Specifications

- |                        |              |         |                     |
|------------------------|--------------|---------|---------------------|
| • Power Supply:        | 20 - 28 Vdc  | Scale:  | 0-300 ppm CO in air |
| • Storage temperature: | -20 to +50°C | Weight: | 150 gr.             |
| • Enclosure:           | IP54         | Color:  | Green               |

### Dimensions

