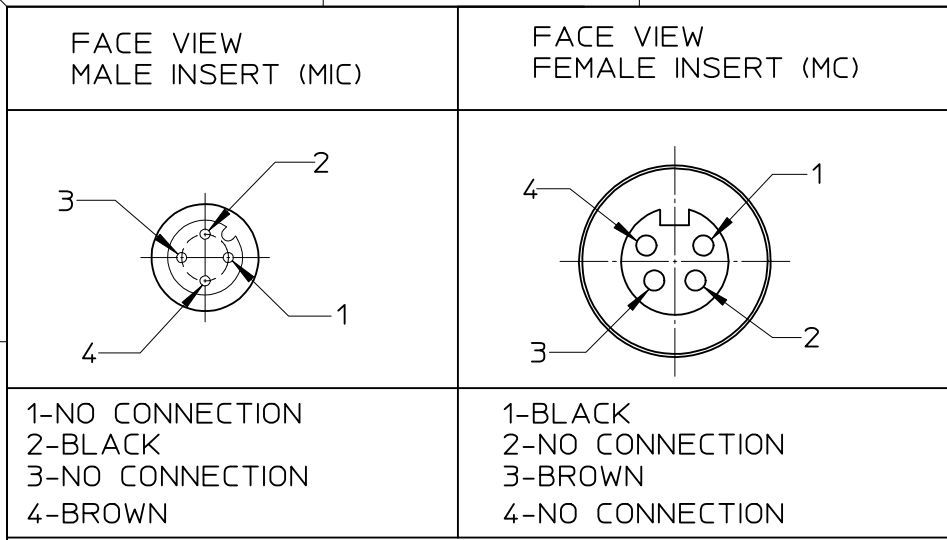


MATERIAL NO.	ENGINEERING NO.	FINISHED LENGTH
1300100132	82540-M010	3'3" +2.19-0 (1.0M +55.6mm-0)
1300102003	82540-M030	9'10" +3.50-0 (3.0M +88.9mm-0)

CUSTOMER PRODUCTION APPROVAL
 APPROVED BY: _____
 DATE: _____
 MUST BE SIGNED AND RETURNED BEFORE
 PRODUCTION WILL BEGIN.

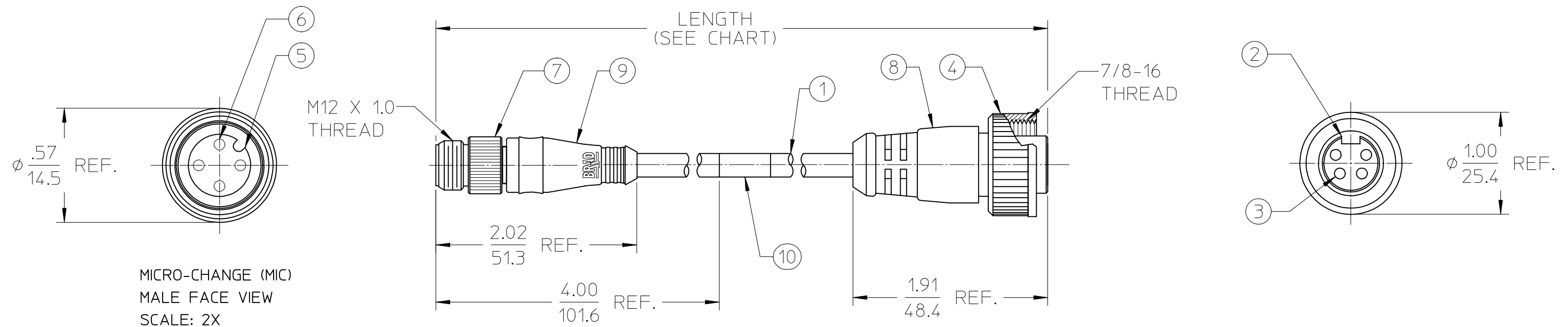
RESTRICTED SALES DRAWING



FACE VIEW MALE INSERT (MIC)
 1-NO CONNECTION
 2-BLACK
 3-NO CONNECTION
 4-BROWN

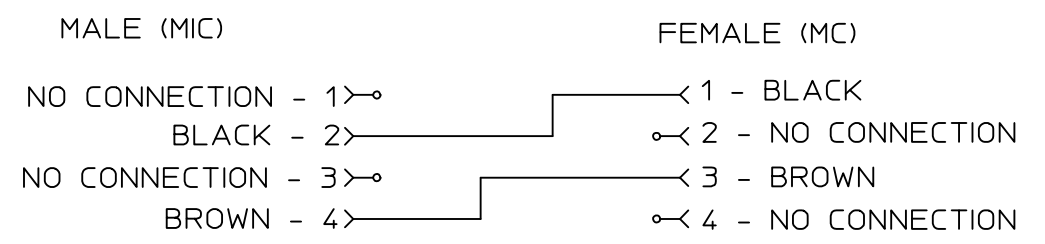
FACE VIEW FEMALE INSERT (MC)
 1-BLACK
 2-NO CONNECTION
 3-BROWN
 4-NO CONNECTION

MINI CHANGE (MC)
 FEMALE FACE VIEW
 SCALE: 1X



MICRO-CHANGE (MIC)
 MALE FACE VIEW
 SCALE: 2X

- NOTES:
1. MATERIAL: SEE TABLE
 2. FINISHES: SEE TABLE
 3. ELECTRICAL SPECIFICATIONS
 VOLTAGE RATING: 250V AC/DC
 CURRENT RATING: 4 AMPS
 4. PROTECTION: IP67
 5. ASSEMBLY IS RoHS COMPLIANT BY EXEMPTION



WIRING DIAGRAM

ITEM	QTY.	DESCRIPTION	MATERIAL	FINISH
10	1	WRAP LABEL	VINYL	BLACK/YELLOW
9	1	MIC OVERMOLD	PVC	YELLOW
8	1	MC OVERMOLD	PVC	YELLOW
7	1	MIC COUPLING NUT, MALE THD.	ZINC DIE-CAST	BLACK
6	4	MIC CONTACT PIN	Cu ALLOY	GOLD PLATED
5	1	MIC INSERT, MALE, 4P	NYLON	BLACK
4	1	MC COUPLING NUT, FEMALE THD.	ZINC DIE-CAST	BLACK
3	4	MC CONTACT SOCKET, 18 AWG	Cu ALLOY	GOLD PLATED
2	1	MC INSERT, FEMALE, 4P	PVC	YELLOW
1	A/R	CABLE, #18-4	TPE JACKET	YELLOW

NEW SALES DOC EC NO: IPG2013-0795 DRWN:RSTONE 2012/11/30 CHKD:K JOZWIK 2013/01/16 APPR:JFMURPHY 2013/03/01	QUALITY SYMBOLS ▽=0 ▽=0	GENERAL TOLERANCES (UNLESS SPECIFIED)		DIMENSION STYLE IN/MM		SCALE 1:1	DESIGN UNITS INCH	THIRD ANGLE PROJECTION
		4 PLACES	± ---	± ---	DRAWN BY RSTONE	DATE 2012/11/30	TITLE MC TO MIC CORD ASSY FEM STR TO MALE STR #18-4. CENELEC WIRING	
3 PLACES	± ---	± ---	CHECKED BY K JOZWIK	DATE 2013/01/16				
2 PLACES	± --	± .01	APPROVED BY JFMURPHY	DATE 2013/03/01				
1 PLACE	± 0.3	± ---	MATERIAL NO. SEE CHART		DOCUMENT NO. RSD-130010-030	SHEET NO. 1 OF 1		
0 PLACE	± ---	± ---	DRAFT WHERE APPLICABLE MUST REMAIN WITHIN DIMENSIONS		THIS DRAWING CONTAINS INFORMATION THAT IS PROPRIETARY TO MOLEX INCORPORATED AND SHOULD NOT BE USED WITHOUT WRITTEN PERMISSION			