

MRC series

S5-S

Socket for square base relay C5-...

Type	S5-S 3-pole, 2 level Logic wiring Integrated retaining clip and labelling space
Rated current	16 A
Specifications	
Rated load	16 A/400V
Insulation	Test voltage V rms 1 min
- All terminals/DIN rail	4 kV
- Terminal/terminal	4 kV
Cross-section of connecting wire	
- Single-wire	4 mm ² or 2 x 2,5 mm ²
- Multi-wire	22 - 14 AWG
Max. screw torque	1,2 Nm
Screw dimensions	M3, Pozi, slot
Integrated retaining clip/plastic	for relay series C5
Labelling space	detachable
Connection label	1...11; DIN/EN
Mounting	DIN rail TS35 or mounting plate
Ambient temperature operation/storage	-40 (no ice)...60 °C /-40 ... 80 °C

Associated, plug-in 11-pin MRC relays **C5-A, C5-G, C5-X, C5-M, C5-R**

Mounting auf DIN rail TS35 or mounting plate. Abnehmbares Labelling space.
EN/DIN Bezeichnungssystem. Gemäß EN 60947 und IEC 61810

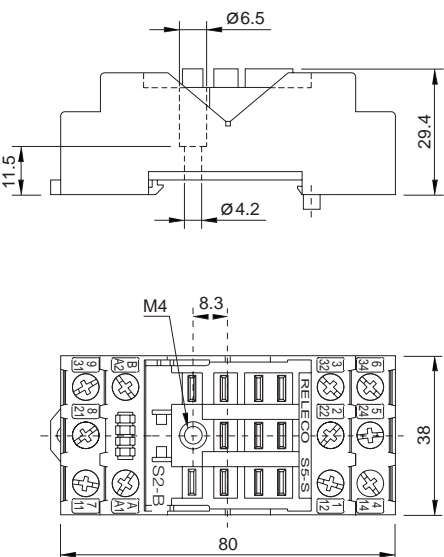
Accessories
Retaining spring, steel **S5-C**



Connection diagram



Dimensions [mm]



Technical approvals, conformities



EN 60947-1, EN 61810-5