



G002816

Combined Optical Smoke and Heat Detector

Salwico EV-PH


Part no 040030

System: CS3000, CS4000, NSAC-I, Salwico Cargo, Salwico Cruise, Salwico LNG, Salwico Offshore, Salwico Ro/Pax, Salwico Workboat, Salwico Yacht, Salwico Navy, OEM Extinguish

General Description

Salwico EV-PH is an analogue addressable combined optical smoke and heat detector. Salwico EV-PH is designed to give early warning for the presence of heat and smoke in the supervised area. Both heat and smoke alarm can be generated individually. At the same time Salwico EV-PH offers a high protection against unwanted alarms. Salwico EV-PH is equipped with OMNIVIEW 360° LED indicator giving a clear, full 360° visibility of the red alarm indication. The detector can be placed in harsh environments if it is mounted on a splash proof base. See separate document "Base matrix Salwico units" for information about suitable base plate. The technical detector address is set with a special programming tool. Valid addresses are 1-254. Salwico EV-PH has a fine pitch net which improves the response to smoke and also reduces the amount of dust etc entering the detector. Salwico EV-PH is equipped with an output for remote indication.

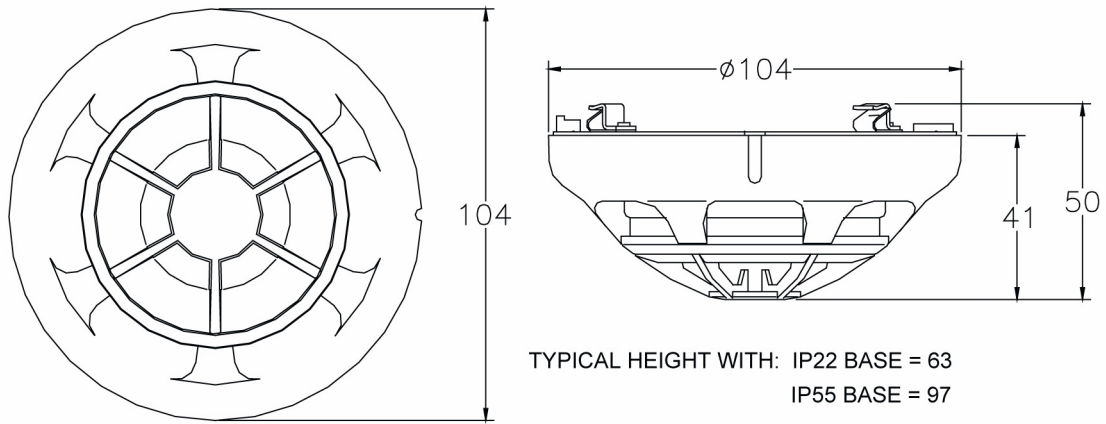
Data

Function	Analogue, addressable, scattering light + heat 54°C
Nominal voltage	24 VDC
Working voltage	20-37 VDC
Working current	0.2 mA
Alarm current	5 mA
Remote indication	Max 3 mA
Ingress protection	Depends on base
Cable terminals	Depends on base
Temperature range	-25°C to +70°C
Air humidity	0-95% RH
Material	PC/ABS
Colour	White
Weight (w/o base)	~120 g
Programming tool	Part no. 040300
Certified according to	 0832

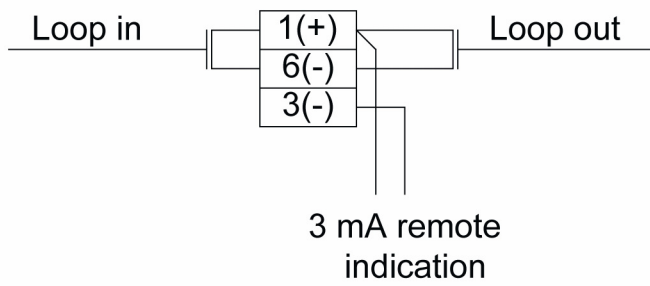


Note!

Do not remove the dust cover from the detector until all polluting (dusty) activities are finished and the area has been cleaned.

Dimensions (mm)

G002803

Connection

G002804