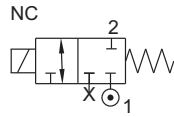


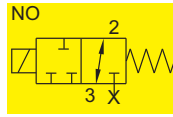
SERIES : 32D

3/2 DIRECT ACTING HIGH ORIFICE/ UNIVERSAL SOLENOID VALVE

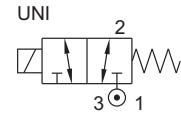
TYPE	PRESSURE
20106	0 - 10 bar
20105	0 - 10 bar



TYPE	PRESSURE
30333	0 - 10 bar
20206	0 - 10 bar
20205	0 - 10 bar



TYPE	PRESSURE
30308	0 - 10 bar
30309	0 - 10 bar
30329	0 - 16 bar



FEATURES

- Bubble tight shut off
- Mounts in any position
- Suitable for vacuum up to 10⁻⁶ torr
- Vibration resistance up to 9g
- Suitable for high speed cycling
- Speed up to 800 cycles/ min
- Life >10 million cycles
- Manual override optionally provided

WETTED PARTS

Code	※	B1	B2	B5
Body	Anodized Aluminium	Anodized Aluminium	Brass	SS 316
Internals	Aluminium, Brass and SS 316	Brass SS 316	Brass and SS 316	SS 316
Guide Assembly	SS 304			
Shadow-Ring	None			
Plunger, Insert	SS 430			
Spring	SS 302			
Seat, Seals	NBR, Viton, Viton GLT, F.Silicon			
Fasteners	SS 304			

AMBIENT AND FLUID TEMPERATURE

-30 °C to 75 °C

SPECIAL VERSIONS AND SUFFIX

Suffix : (Valve) AM, WO
 Special versions : (Solenoid) CO, FR, SS, LC, III

MEDIA

Air, Inert Gases, Water, Vacuum, Free Flowing Liquids, Oil, Diesel, Kerosene, LPG

APPLICATION

Single acting actuator/ Cylinder, control valve actuation.
 Diverting/ mixing of fluid, analyzer, ESD

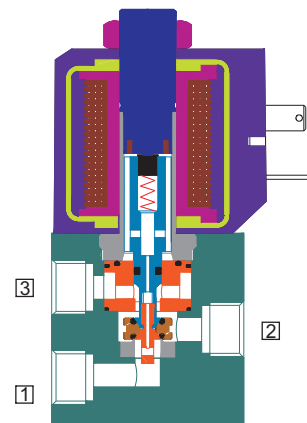
PORT CONNECTION

FUNCTION	INLET	OUTLET	EXHAUST
NC	1	2	3
NO	3	2	1
Mixing	1 and 3	2	
Diverting	2	1 and 3	

Contact Rotex for

- Any other ambient, fluid temperature, media and application
- UL listed, Listed general purpose Valve

Valve type 30309 and 30329 does not have shadowring
 • Plugging exhaust port. Can be used as bi directional, 2/2 NC type 20105, 20106, **30329TC** or 2/2 NO type 20205, 20206, **30329TO**
 • For Valve type 30308 and 30333 operated with AC voltage select in built full rectifier 'FR' option
 • **Add Suffix SL for Ordering SIL capable Certified valve.**



SPARES

(Refer page 25 for ordering code)

SPARE KIT	CODE
Seal Kit : Oring Set and Plunger Assembly	98
Repair Kit : Oring Set, Plunger Assembly, Fastener, Springs, Manual Override	99
Solenoid Kit : Solenoid, Gasket and Nut	34

APPROVAL

(* applied for)

Approval	TYPE 4X, 6P	IP67	Ex d IIC T4 or T5 or T6 IP66	Ex ia IIC T6 IP67	DGMS	CCOE
		✓	✓	✓	✓	✓
		✓	✓	✓		
	✓		*			
			✓	✓		
			✓	✓		
			✓	✓		

7



3/2 DIRECT ACTING HIGH ORIFICE/ UNIVERSAL SOLENOID VALVE

SPECIFICATION

SIZE	PORT CONNECTION	PRE-SSURE bar	ORIFICE (mm)	VALVE TYPE	PILOT PRESSURE	BODY MATERIAL AND INTERNALS					SEALS			MANUAL OVERRIDE	SOLENOID ENCLOSURE					SUFFIX		POWER VA		CONSTRUCTION REFERENCE NUMBER	
						ALUMINIUM	ALUMINIUM + SS	BRASS (STD PORT NPT)	SS 316/1.4571 (STD. PORT NPT)	NBR	Viton	EPDM	Viton GLT		F.Silicon	NIL	STAYPUT CUM MOMENTARY	FLYING LEAD	WEATHER PROOF	EXPLOSION PROOF	OXYGEN	AMONIA	AC INRUSH		AC HOLDING
3/2 UNIVERSAL																									
1/4"	2G	2R	0 10 5 8 30308	×	B1	B2	B5	×	S2	S2G	S19	×	M6	M8	25	T	E	III	14	✓	✓	8	8	8	323
			0 10 7 14 30309	×	B1	B2	B5	×	S2	S2G	S19	×	M6	M8	25	T	E		18	✓		15	15	15	324
			0 16 7 12 30329	×	B1	B2	B5	×	S2	S2G	S19	×	M6	M8	25	T	E		18	✓		15	15	15	324
3/8"	3G	3R	0 10 10 30 30309	×	B1	B2	B5	×	S2	S2G	S19	×	M6	M8	25	T	E		18	✓		15	15	15	325
			0 10 7 14 30309	×	B1	B2	B5	×	S2	S2G	S19	×	M6	M8	25	T	E		18	✓		15	15	15	324
			0 10 5 8 30333		B2	B5	×	S2	S2G	S19	×	M6	M8	25	T	E		14	✓	✓	8	8	8	223	
1/2"	4G	4R	0 16 7 12 30329	×	B1	B2	B5	×	S2	S2G	S19	×	M6	M8	25	T	E		18	✓		15	15	15	324
			0 16 10 25 30329	×	B1	B2	B5	×	S2	S2G	S19	×	M6	M8	25	T	E		18	✓		15	15	15	325
			0 10 5 10 30333		B2	B5	×	S2	S2G	S19	×	M6	M8	25	T	E		14	✓	✓	8	8	8	223	
1/2"	4G	4R	0 10 10 30 30309	×	B1	B2	B5	×	S2	S2G	S19	×	M6	M8	25	T	E		18	✓		15	15	15	325
			0 16 10 25 30329	×	B1	B2	B5	×	S2	S2G	S19	×	M6	M8	25	T	E		18	✓		15	15	15	325

Cable Entry	T	E
M20 x 1.5	19	39
1/2" NPT	16	37

× = Do not specify when opted for. Refer Page # 22 for Value of ×
 ✓ = Options available

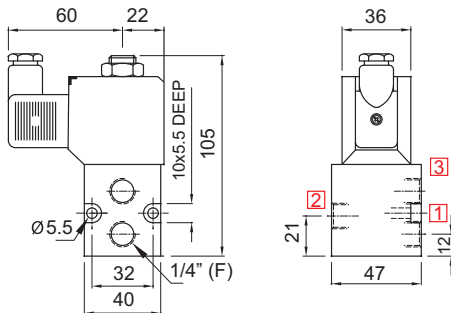
ORDERING CODE AND EXAMPLE VALVE + SOLENOID

TYPE – SUFFIX – ORIFICE – PORT CONNECTION – BODY AND INTERNALS – MANUAL OVERRIDE – SEAL + SIZE – VOLTAGE – CURRENT – SOLENOID ENCLOSURE – APPROVAL – INSULATION – SPECIAL VERSION
 e.g. 30309-7-2G+110V DC; 30308-5-2R-B5-S2+220V 50Hz-37-III-FR

DIMENSIONS

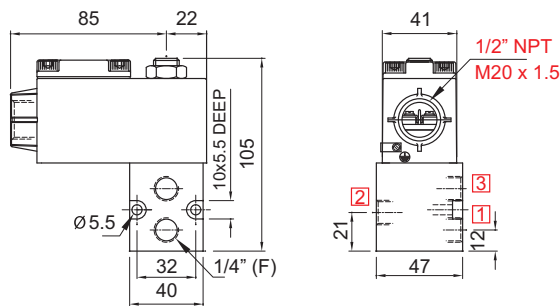
All Dimensions are in mm

CONSTRUCTION REFERENCE : 323



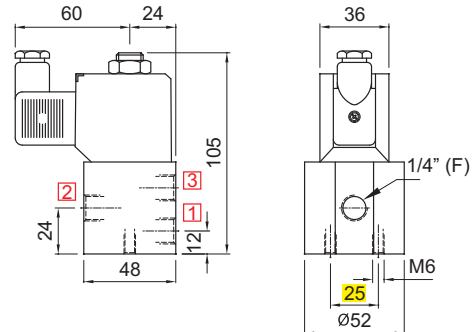
PLUG IN SOLENOID TYPE 22

CONSTRUCTION REFERENCE : 323



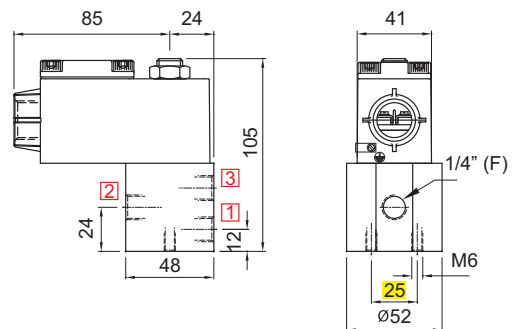
TERMINAL BOX/ Ex d/ TYPE 16, 19, 37, 39

VALVE TYPE : 30308 WITH SS BODY



PLUG IN SOLENOID TYPE 22

VALVE TYPE : 30308 WITH SS BODY



TERMINAL BOX/ Ex d/ TYPE 16, 19, 37, 39

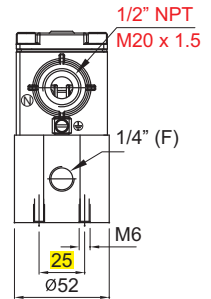
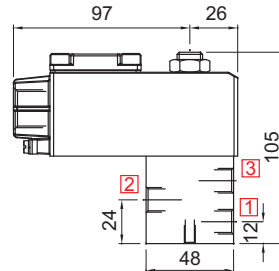
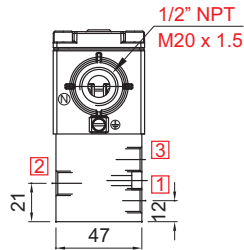
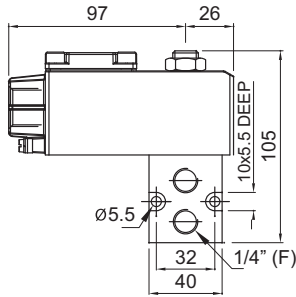
3/2 DIRECT ACTING HIGH ORIFICE/ UNIVERSAL SOLENOID VALVE

DIMENSIONS All Dimensions are in mm

CONSTRUCTION REFERENCE : 323

VALVE TYPE : 30308

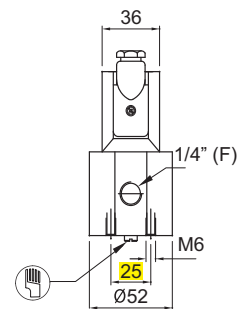
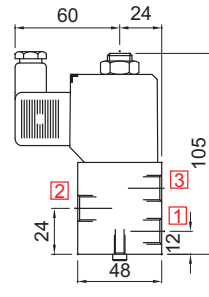
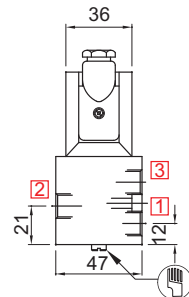
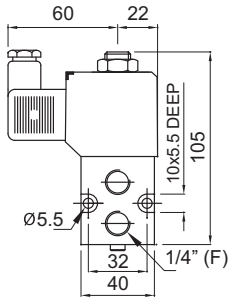
Valve Type : 30308 Body Stainless Steel and Large Enclosure



TERMINAL BOX/ EX d/ LARGE ENCLOSURE,
TYPE 16, 19, 37, 39, LC

TERMINAL BOX/ EX d/ LARGE ENCLOSURE,
TYPE 16, 19, 37, 39, LC

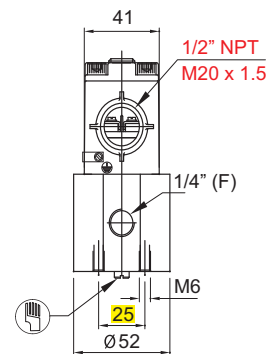
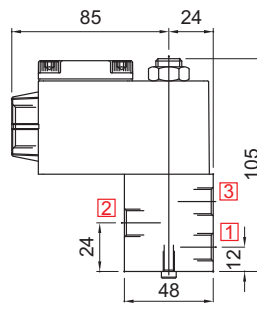
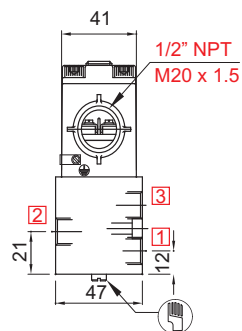
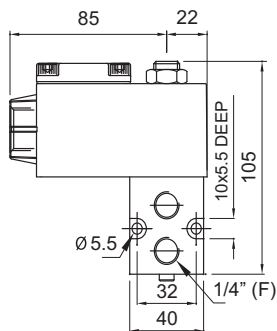
CONSTRUCTION REFERENCE : 323



PLUG IN SOLENOID TYPE 22/ 25

PLUG IN SOLENOID TYPE 22/ 25

CONSTRUCTION REFERENCE : 323



TERMINAL BOX/ Ex d/ TYPE 16, 19, 37, 39

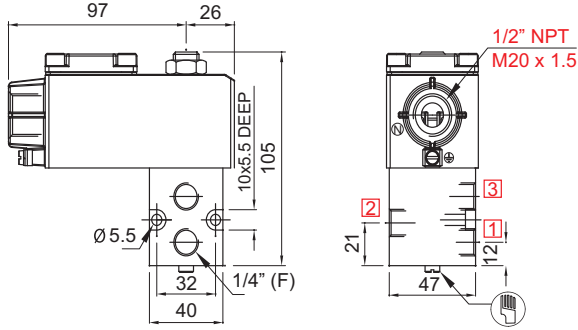
TERMINAL BOX/ Ex d/ TYPE 16, 19, 37, 39



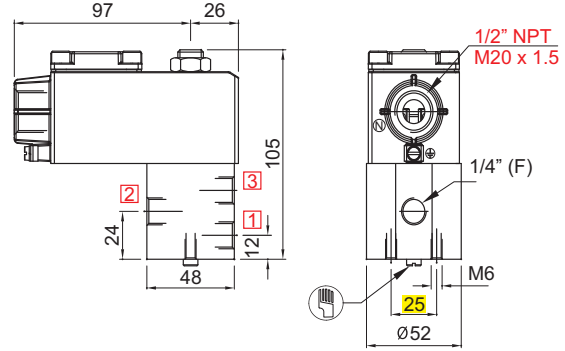
3/2 DIRECT ACTING HIGH ORIFICE / UNIVERSAL SOLENOID VALVE

DIMENSIONS All Dimensions are in mm

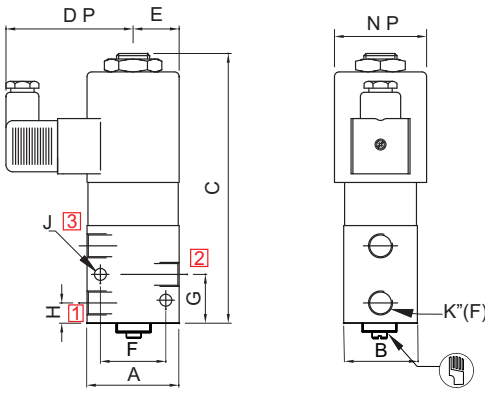
CONSTRUCTION REFERENCE : 323



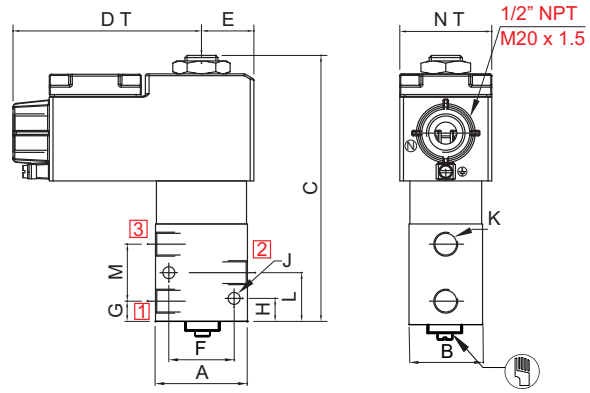
TERMINAL BOX/ Ex d/ LARGE ENCLOSURE, TYPE 16, 19, 37, 39, LC



TERMINAL BOX/ Ex d/ LARGE ENCLOSURE, TYPE 16, 19, 37, 39, LC



PLUG IN SOLENOID TYPE 25

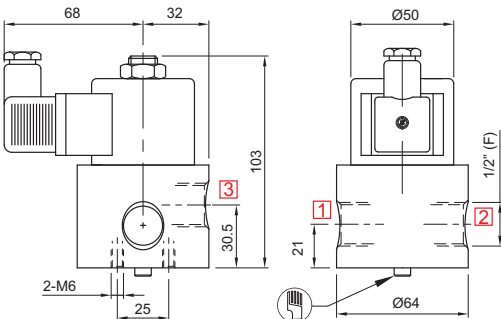


TERMINAL BOX/ Ex d/ TYPE 16, 17, 37, 39

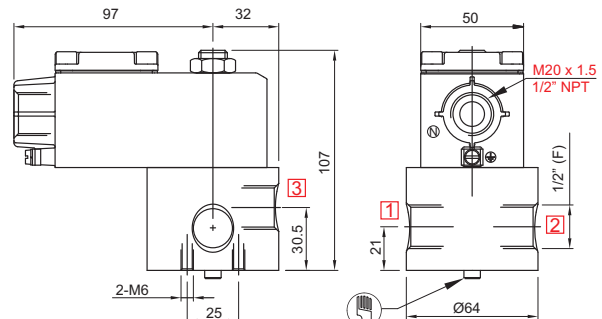
NW	K (PORT SIZE)	A	B	C	DP	DT	E	F	G	H	J	L	M	NP	NT	CONST. REF.
VALVE TYPE : 30309, 30329																
7	1/4", 3/8"	50	40	146	69	103	25	36	27	11	6.5	27	31	Ø50	M50	324
10	3/8", 1/2"	60	50	160	69	103	30	38	35	16	6.5	35	36	Ø50	M50	325

CONSTRUCTION REFERENCE : 223

VALVE TYPE 30333



PLUG IN SOLENOID TYPE 25/ 22



TERMINAL BOX/ Ex d/ LARGE ENCLOSURE, TYPE 16, 19, 37, 39

