



< Previous Product

Next Product >



Images are for illustrative purposes only. Please refer to data sheet for details.

AE6/CP-1A MICRO DETECTORS Inductive sensor M8 short shielded NC/PNP cable 2m axial

☆☆☆☆☆ 0/5 - 0 Opiniones

Reference: AE6/CP-1A

Manufacturer: MICRO DETECTORS

Standard lead time: 4-6 weeks ⓘ

These delivery times are estimations and may vary when the item order has been processed. You will be notified of any change to delivery times once the order has been processed.

Description:

Inductive sensor M8 short shielded NC/PNP cable 2m axial

Categories:

Encoders

Unit price: \$32.48

[Special discounts for registered customers.](#)

[Login or register and prices will be updated.](#)

Calculate price by quantity

*This price is per unit and is the net value (not including taxes if applicable).

If our price is not the best, please ask us for a quote.

[Ask for a quotation](#)



VIEWED PRODUCTS



AE6/CP-1A MICRO...

Inductive sensor M8 short shielded NC/PNP...

[More info](#)[Reviews](#)

MORE INFO



Technical features

Nominal sensing distance	1,5mm
Operanting distance	0...1,21mm
Standard target	8x8mm FE360
Correction Factor	copper: 0,29 / aluminium: 0,38 / brass: 0,49 / stainless steel: 0,78
Thermal drift of Sr	< 10%
Repeat Accuracy	5% (UB 24V Ta=23°C ±5°C)
Hysteresis	1 ... 20%

Outputs

Output type	PNP
Output Function	NC
Switching frequency	5kHz



No-Load supply current	≤ 10mA
Load current	≤ 200mA
Leakage current	≤ 10μA
Output voltage drop	≤ 1,8V @200mA
Max ripple content	≤10%
LED indicators	Yellow LED output state
Time delay before availability	50ms
Short-circuit protection	Yes
Reverse Polarity Protection	Yes
Protection against inductive loads	Yes

Mechanical data

Dimensions	M8 x 1 / L = 35,5mm
Mounting	Shielded
Weight	45g
Housing Material	Nickel-plated brass
Connections	2m PVC Cable
Active Head Material	PBT
Tightening torque	3Nm
Operating temperature	-25°C...+70°C



EMC compatibility

IEC 60947-5-2

Shocks and vibrations

Vibration IEC 60068-2-6 / Shock IEC 60068-2-27

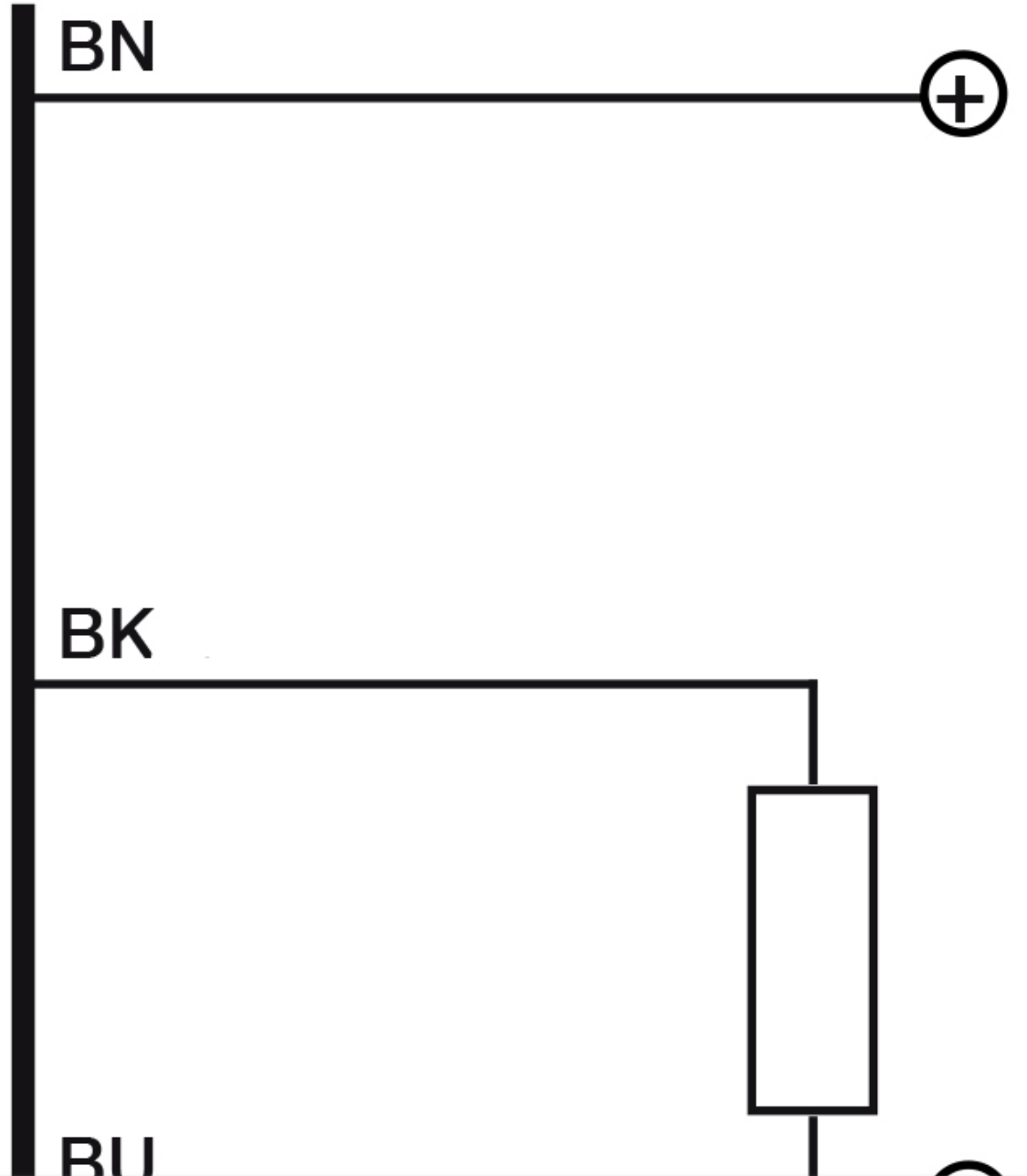
Degree of protection

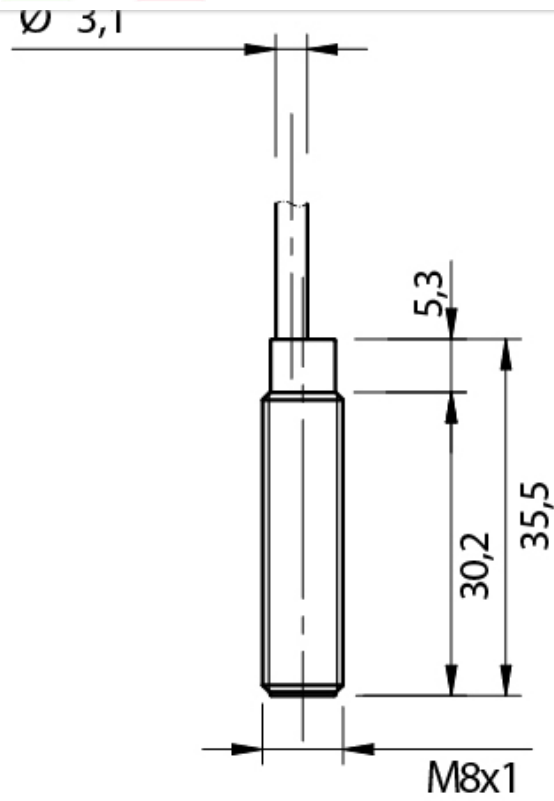
IP 67 (EN60529)

Accessories

Supplied Accessories 2 nuts M8x1

Electrical diagrams of the connections





Installation

