

1 GENERAL DESCRIPTION:

MODEL CP-3FS IS $\phi 36.5$ mm (1.44") CASE, $\phi 6$ mm (0.236") SHAFT, SERVO MOUNT TYPE, PRECISION CONDUCTIVE PLASTIC POTENTIOMETER. ITS SUPERB QUALITY, RELIABILITY AND PERFORMANCE MAKE CP-3F SUITABLE FOR PRECISION POSITION SENSING APPLICATIONS.

2 ELECTRICAL SPECIFICATIONS:

- 2.1 ELECTRICAL ANGLE: 340°
- 2.2 TOTAL RESISTANCE: 0.5K, 1K, 2K, 5K, 10K OHMS
- 2.3 RESIST. TOLERANCE: $\pm 20\%$
- 2.4 LINEARITY (INDEPENDENT): $\pm 1\%$ ($\pm 0.5\%$, $\pm 0.2\%$, $\pm 0.15\%$ AVAILABLE)
- 2.5 REPEATABILITY: $\pm 0.003\%$
- 2.6 POWER RATING: 1.5 WATTS @ 70°C
- 2.7 INSULATION RESISTANCE: 100 meg OHMS MIN. 1,000 Vdc
- 2.8 DIELECTRIC STRENGTH: 1,000 Vrms @ 50/60 Hz for ONE MINUTE

3 MECHANICAL SPECIFICATIONS:

- 3.1 MECHANICAL ANGLE: 360°
- 3.2 TORQUE: 14 g-cm MAX. (0.2 OZ-IN MAX.)
- 3.3 WEIGHT: APPROX. 40g (1.4 OZ)
- 3.4 LIFE: 10 MILLION CYCLES MIN.

4 ENVIRONMENTAL SPECIFICATIONS:

- 4.1 OPERATING TEMPERATURE: -40°C to +120°C
- 4.2 VIBRATIONS: 15 Gs, 2000 Hz
- 4.3 SHOCK: 50 Gs, 11 ms

5 MARKING:

EACH UNIT SHALL BE MARKED WITH MIDORI MODEL NO. AND MANUFACTURING SERIAL NO.

6. HARDWARE: UNIT SHALL BE SUPPLIED WITH 2PC OF TYPE 2 CLEATS

REVISION		DESCRIPTION	DATE	DRAWN	APPROD
C.O.N	SYM	Discontinued			

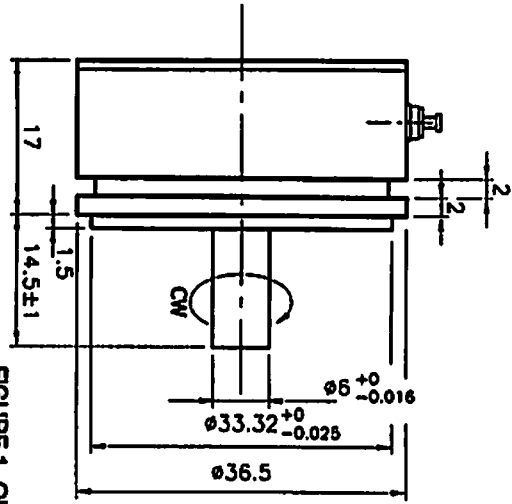


FIGURE 1 OUTLINE DIMENSION

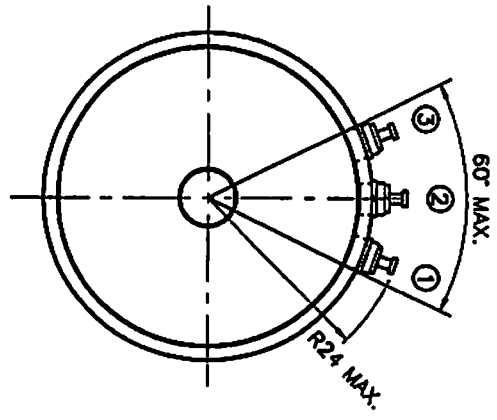


FIGURE 2 WIRING DIAGRAM

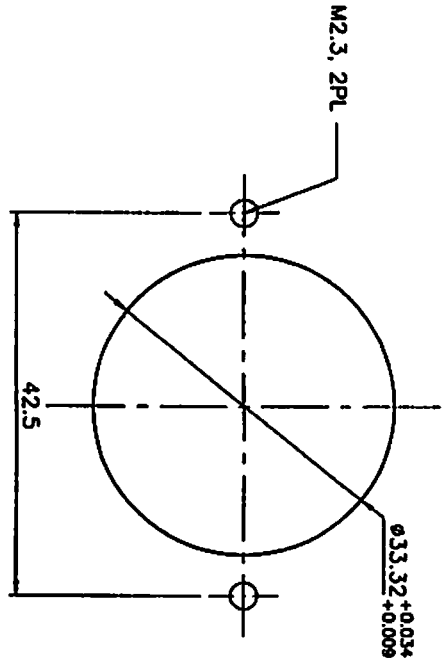


FIGURE 3 MOUNTING DIAGRAM

UNLESS OTHERWISE SPECIFIED DIMENSIONS ARE IN mm
TOLERANCES:
ANGLES: $\pm 1.5^\circ$
5-10mm: ± 0.25
<100mm: ± 0.5
>100mm: ± 1

DRAWN	DATE	CHECKED	DATE
S. SASAKI <td></td> <td></td> <td></td>			
APPROVED <td>DATE</td> <td>APPROVED <td>DATE</td> </td>	DATE	APPROVED <td>DATE</td>	DATE

SPECIFICATION DWG FOR MODEL CP-3FS POTENTIOMETER

Midori America Corporation
 A-MAC-S43
 1 OF 1