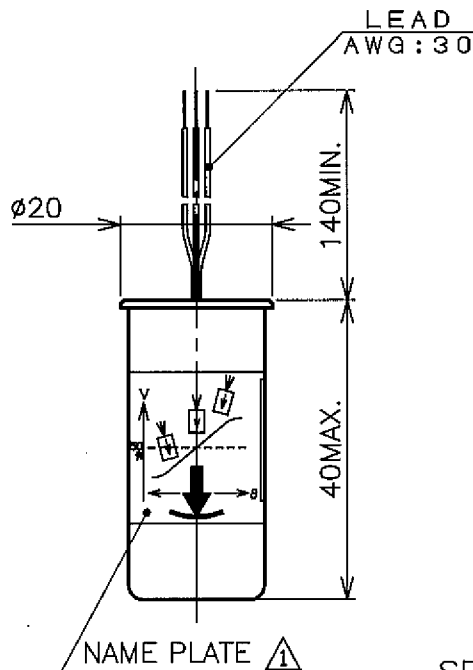
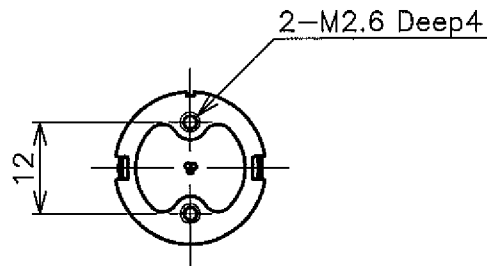


DRAWING FOR APPROVAL

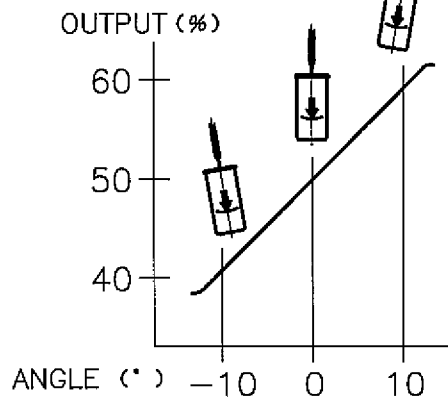
SPEC. NO.

MODEL:

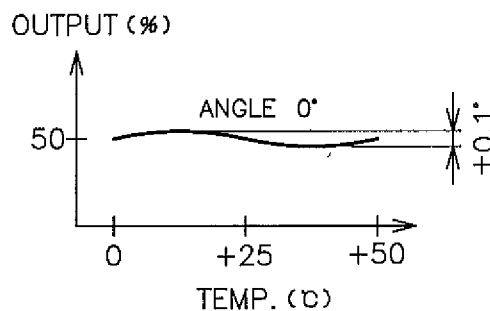
PMP-S10LX-1



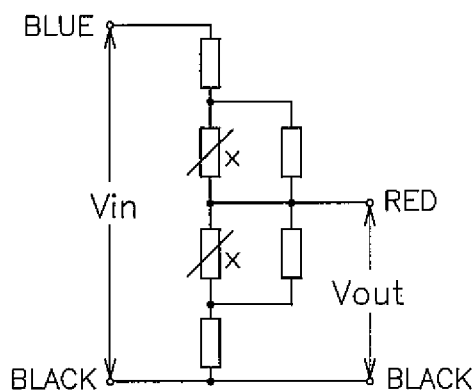
OUTPUT CHARACTERISTICS



TEMP. CHARACTERISTICS



SCHEMATIC



SPECIFICATIONS

- ELECTRICAL TRAVEL : ±10°
- TILT SENSITIVITY : 0.01° MAX.
- OUTPUT SENSITIVITY : 0.75 ±1.5% Vin/1°
- INDEX POINT : 50±3% Vin
- ZERO-BASED LINEARITY : ±1% FS (FS=20°)
- INPUT IMPEDANCE :  $\Delta$  30k $\Omega$  ±40% - 25k $\Omega$  ±40%
- INPUT VOLTAGE : DC14V MAX.
- LOAD RESISTANCE : 10M $\Omega$  MIN.
- INSULATION RESISTANCE : 100M $\Omega$  MIN. DC500V
- DIELECTRIC STRENGTH : AC500V 1MINUTE
- RESPONSE TIME : APPR.0.2s
- DAMPER OIL : SILICON OIL (200mm<sup>2</sup>/s)
- MASS : APPR.35g
- OPERATING TEMP. : 0~50°C
- STORAGE TEMP. : -40~80°C

$\Delta$	3.22.'02	CHANGED: 3 ITEMS	M. Tojo	
REV	DATE	DESCRIPTION	DRAWN	CHKD
APPROVED		TOLERANCE	DATE	4. 7.'00
CHECKED	4.7.'00	≤10 ±0.25	SCALE	1/1
DRAWN	4.7.'00	10 < ≤100 ±0.5	DRAWING PRACTICE	
		100 < ±1.0		
		ANGLE ±1.5°		

**MIDORI PRECISIONS CO., LTD.**  
 DRAWING NO.  
**A-MPE-B07**