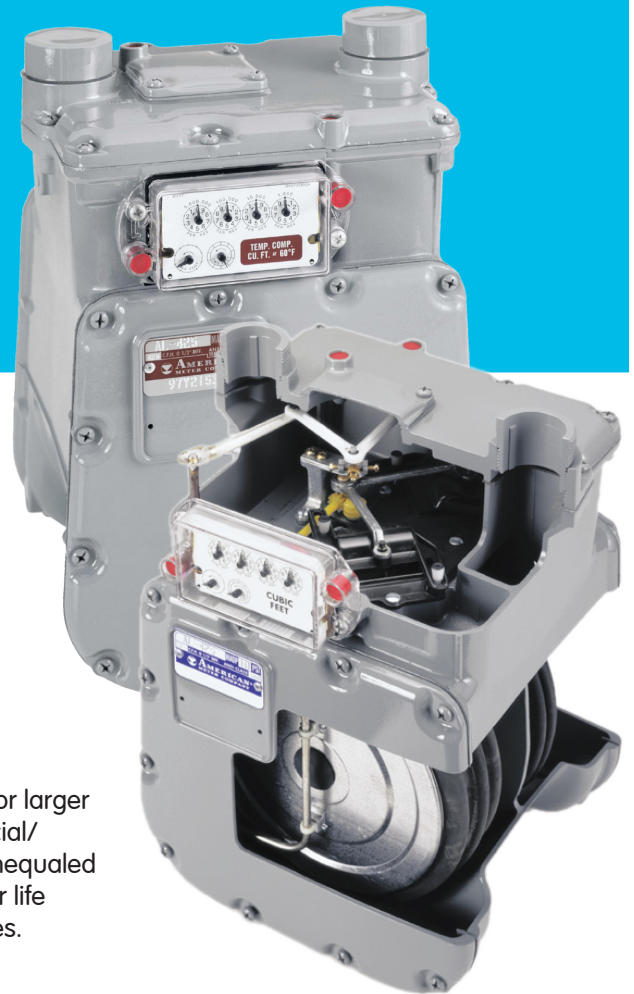


# AL-425 Diaphragm Meter



Designed to meter a variety of gases for large residential/small commercial applications at pressures up to 25 PSIG and flow rates to 425 SCFH at 1/2" W.C. differential pressure

## Features

- Die-cast aluminum case
- Oil-impregnated, self-lubricating bushings
- Molded, convoluted diaphragms for smooth operation and long life
- Rigid, reinforced flag rods for positive alignment and sustained accuracy
- Graphite-filled phenolic valves to minimize wear
- Long-life, low friction, grommet seals
- Single coat polyester primer with high solids polyurethane top coat
- Security seals that indicate tampering

## Advantages

- Temperature compensation available from -30°F to 140°F (-34°C to 60°C)
- 425 SCFH (12.0 m<sup>3</sup>/h) (0.60 specific gravity gas) at 1/2-inch W.C. differential
- AMI/AMR compatibility
- Meets ANSI B109.1 specifications
- Measurement Canada accredited

## Applications

The AL-425 is ideally suited for larger residential or small commercial/ industrial installations. It is unequalled for accuracy retention and for life cycle maintenance economies.

## Options

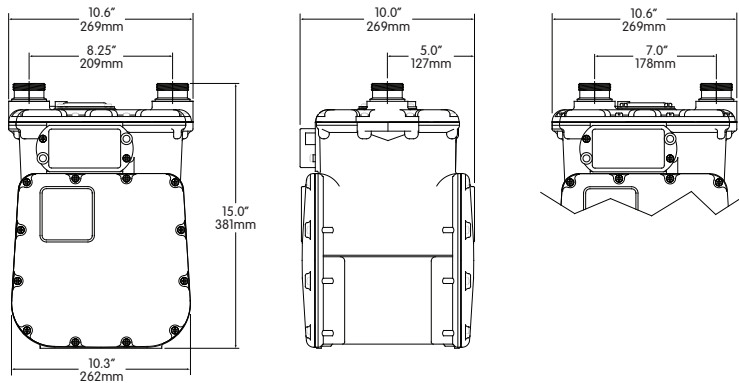
- Regular or Temperature Compensated
- Pointer or odometer index
- 2ft<sup>3</sup> or 0.05m<sup>3</sup> drive
- 20 LT, 30 LT, 45 LT and other connection sizes
- 10 or 25 PSIG (690 or 1724 mBar) Maximum Allowable Operating Pressure (MAOP)
- Pressure compensating indexes
- Standard or UV protected index covers
- Meter bars
- Connection sets
- Remote Volume Pulsers
- 7" or 8.25" center-to-center connections



**elster**  
American Meter

## AL-425 Diaphragm Meter

Weight = 21 lbs



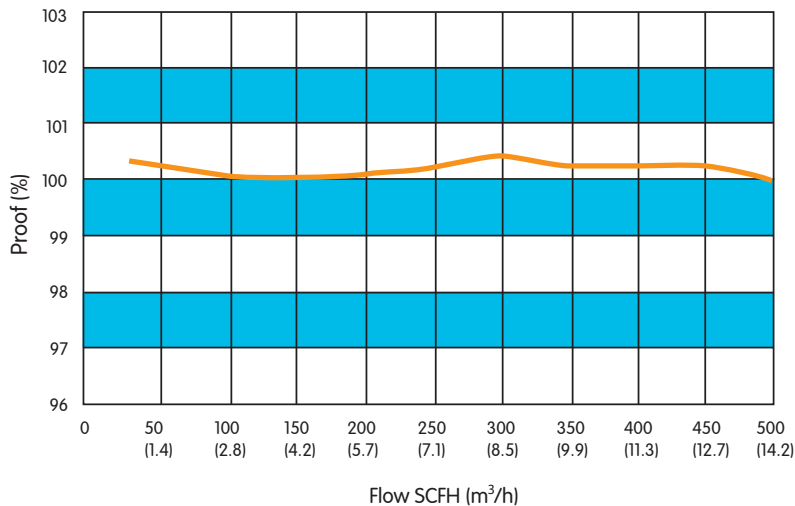
### Capacities (0.60 specific gravity gas)

Line Pressure PSIG (mbar)	Differential Inches W.C. (mbar)	SCFH (m <sup>3</sup> /h)
0.25 (17)	1/2 (1.2)	425 <sup>1,2</sup> (12.0)
0.25 (17)	2 (5)	898 (25.4)
1 (69)	2 (5)	920 (26.1)
2 (138)	2 (5)	955 (27.0)
5 (345)	2 (5)	1038 (29.4)
10 (690)	2 (5)	1154 (32.7)
15 (1035)	2 (5)	1269 (35.9)
20 (1380)	2 (5)	1367 (38.7)
25 (1724)	2 (5)	1462 (41.4)

1 - Propane - 268 cfh (7.6 m<sup>3</sup>/h)

2 - Butane - 234 cfh (6.6 m<sup>3</sup>/h)

### AL-425 Proof Curve



## About Elster Group

A world leader in advanced metering infrastructure, integrated metering, and utilization solutions to the gas, electricity and water industries. Elster's metering and system solutions reflect over 170 years of knowledge and experience in measuring precious resources and energy.

Elster provides solutions and advanced technologies to help utilities more easily, efficiently and reliably obtain and use advanced metering intelligence to improve customer service, enhance operational efficiency, and increase revenues. Elster's AMI solutions enable utilities to cost-effectively generate, deliver, manage, and conserve the life-essential resources of gas, electricity, and water.

Elster has a staff of over 7,500 serving customers globally in North America, Central America, South America, Europe, Asia, Africa and the Middle East.

ISO 9001:2000



Certification No. 006697

Elster American Meter  
2221 Industrial Road  
Nebraska City, NE  
68410  
USA

T +1 402 873 8200  
F +1 402 873 7616

[www.elster-americanmeter.com](http://www.elster-americanmeter.com)

Elster Canadian Meter

T +1 905 634 4895  
F +1 905 634 6705

[www.elster-canandianmeter.com](http://www.elster-canandianmeter.com)

© 2008 Elster American Meter. All right reserved

EAM-DS3520.5-EN-P - November 2008  
Supersedes EAM-DS3520.4-EN-P