

>MAGNETIC DRIVE PUMPS MAG-PR SERIES

THIS SERIES COMBINES THE ADVANTAGES OF POSITIVE DISPLACEMENT VANE PUMPS WITH MAGNETIC DRIVE TECHNOLOGY.

These pumps are characterised by the absence of a rotating mechanical seal and therefore guarantee excellent sealing, with no leaks or drips even with difficult liquids.

Less mechanical friction guarantees greater efficiency and even greater reliability. Ideal for handling chemical liquids or as energy-saving recirculation pumps.

They can work with liquids from -30°C to +200°C. Stainless steel pump housing, with or without bypass valve, available with various types of seals (NBR, EPDM, FKM, PTFE or Silicone).

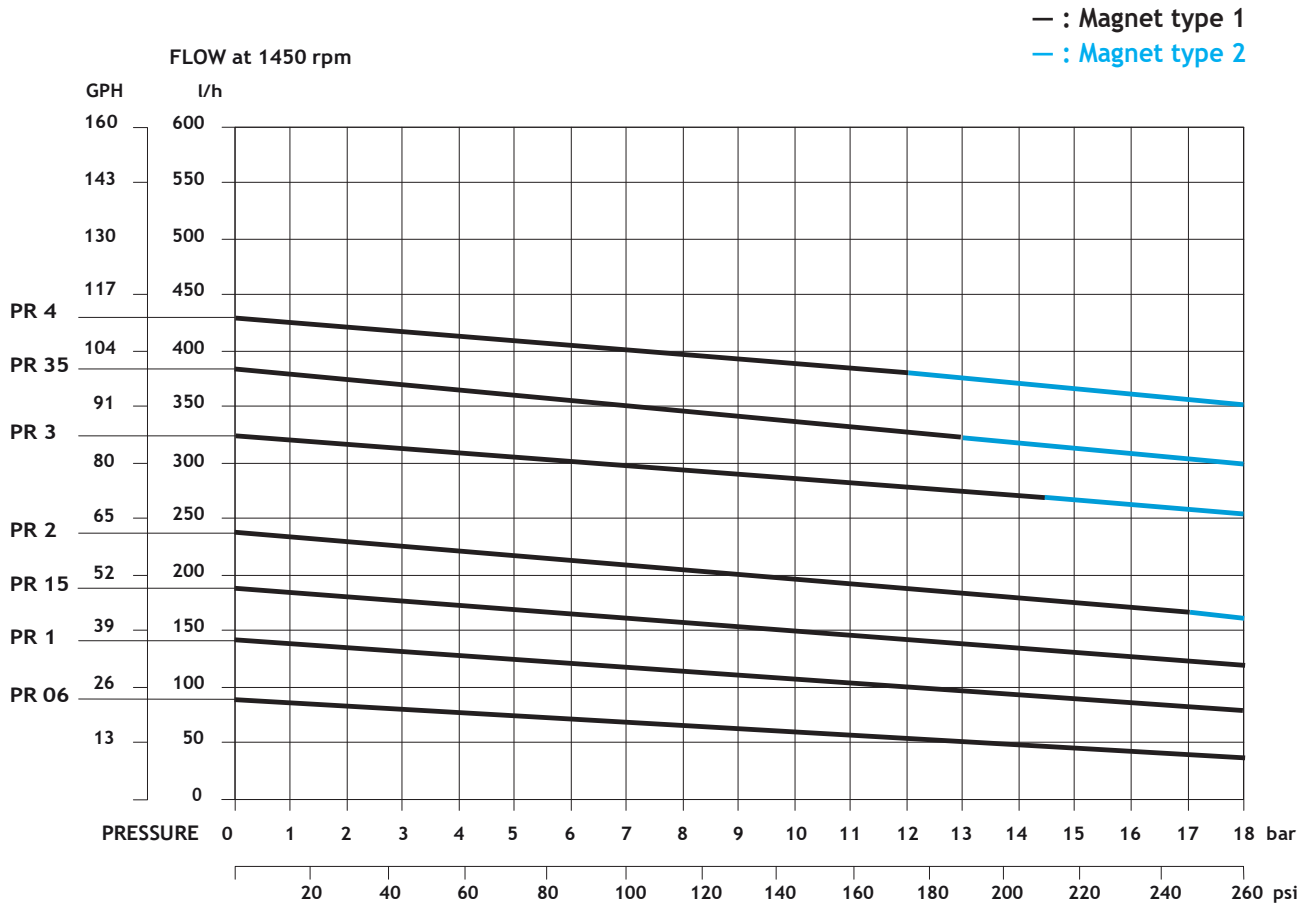
Flow rates from 50 to 400 l/h, with pressures up to 18 bar. Magnets available in NdFeB and SmCo. Fits standard IEC B14 size 56, 63 or 71 motors or motors with special connection.

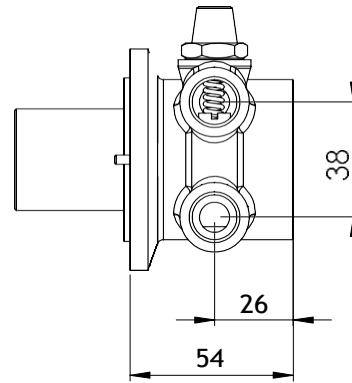
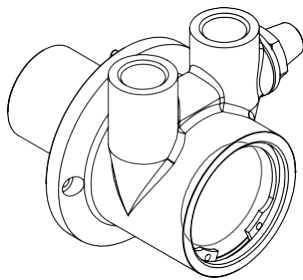
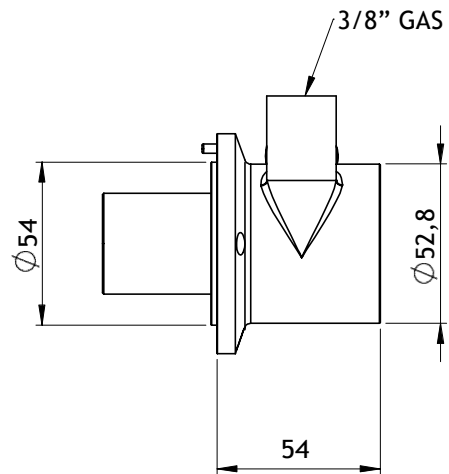
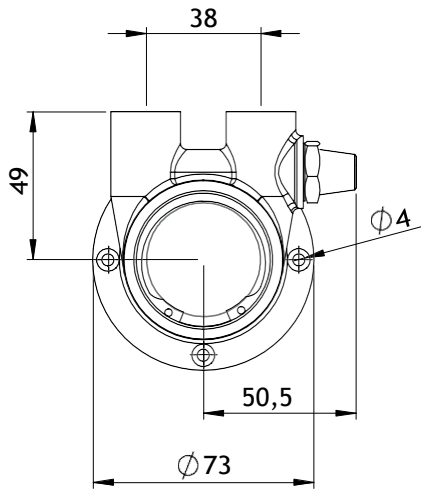


APPLICATIONS

- >Chemical mixtures
- >Solar-thermal system recirculation
- >Coffee machines
- >Cooling circuits

>CHARACTERISTIC CURVE MAG-PR SERIES





PUMP CODE

serie MAG-PR	portata (L/h) a 1400 rpm				portata (GPH) a 1750 rpm			
	0 bar	5 bar	9 bar	14 bar	0 PSI	75 PSI	130 PSI	200 PSI
MAG-PR 06	90	78	63	55	29	25	21	18
MAG-PR 1	125	115	110	85	41	37	36	28
MAG-PR 15	175	160	150	135	57	52	49	44
MAG-PR 2	230	220	205	185	75	72	67	60
MAG-PR 3	320	310	295	280	104	101	96	91
MAG-PR 35	370	355	340	330	120	116	111	107
MAG-PR 4	420	405	390	380	137	132	127	124

Indicative flow rate referring to :
pump without bypass, motor with
constant speed at 1400 rpm, water at 20°C (68°F)

Indicative flow rate referring to :
pump without bypass, motor with
constant speed at 1750 rpm, water at 20°C (68°F)