

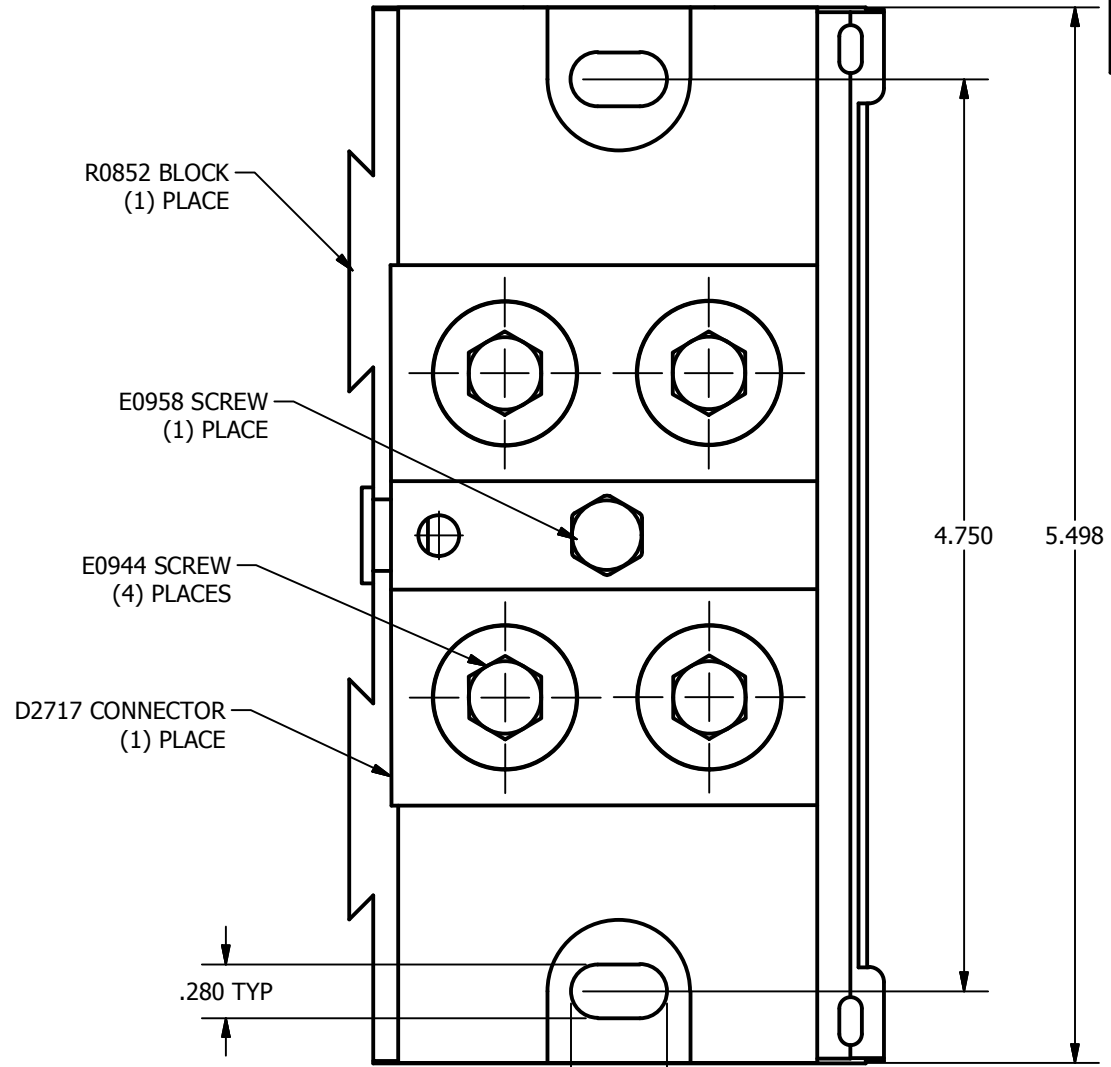
SCREW: E0944, E0958  
 CAT. NO.: SEE CHART  
 INFORMATION SHEET: SEE CHART

MATERIAL: NONE  
 PLATING: NONE  
 MARKING: NONE

REV: H  
 DRAWN BY: CLH  
 DATE: 11/28/2007

SCALE: 1/2  
 SIZE: B

DWG NO: **M4026**  
 SHEET: 1 OF 1



CAT. NO	INF. SHT.
LDA-22-500	FORM 48
LDAU-22-500	FORM 48
TBDA-22-500	FORM 167

