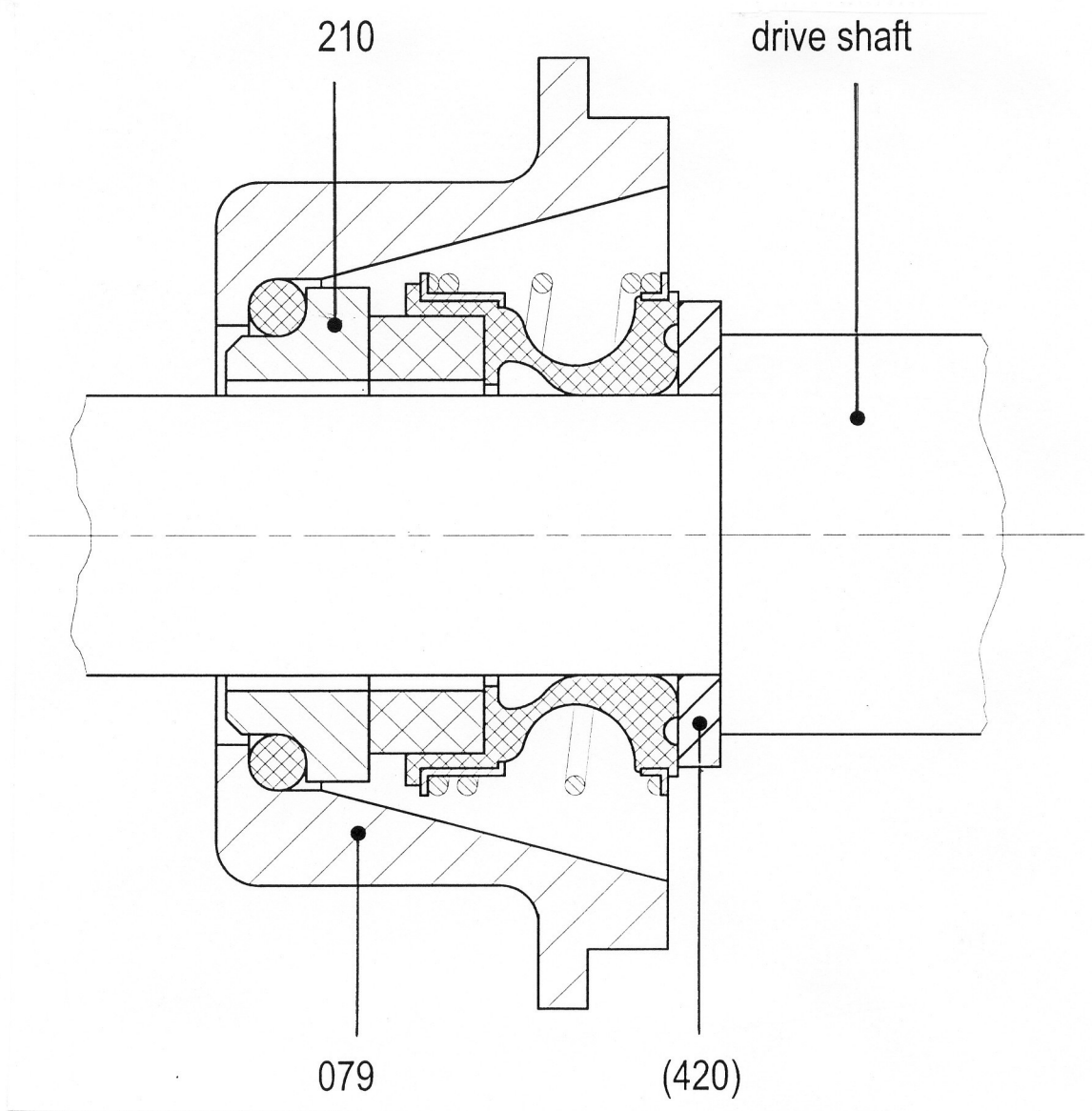
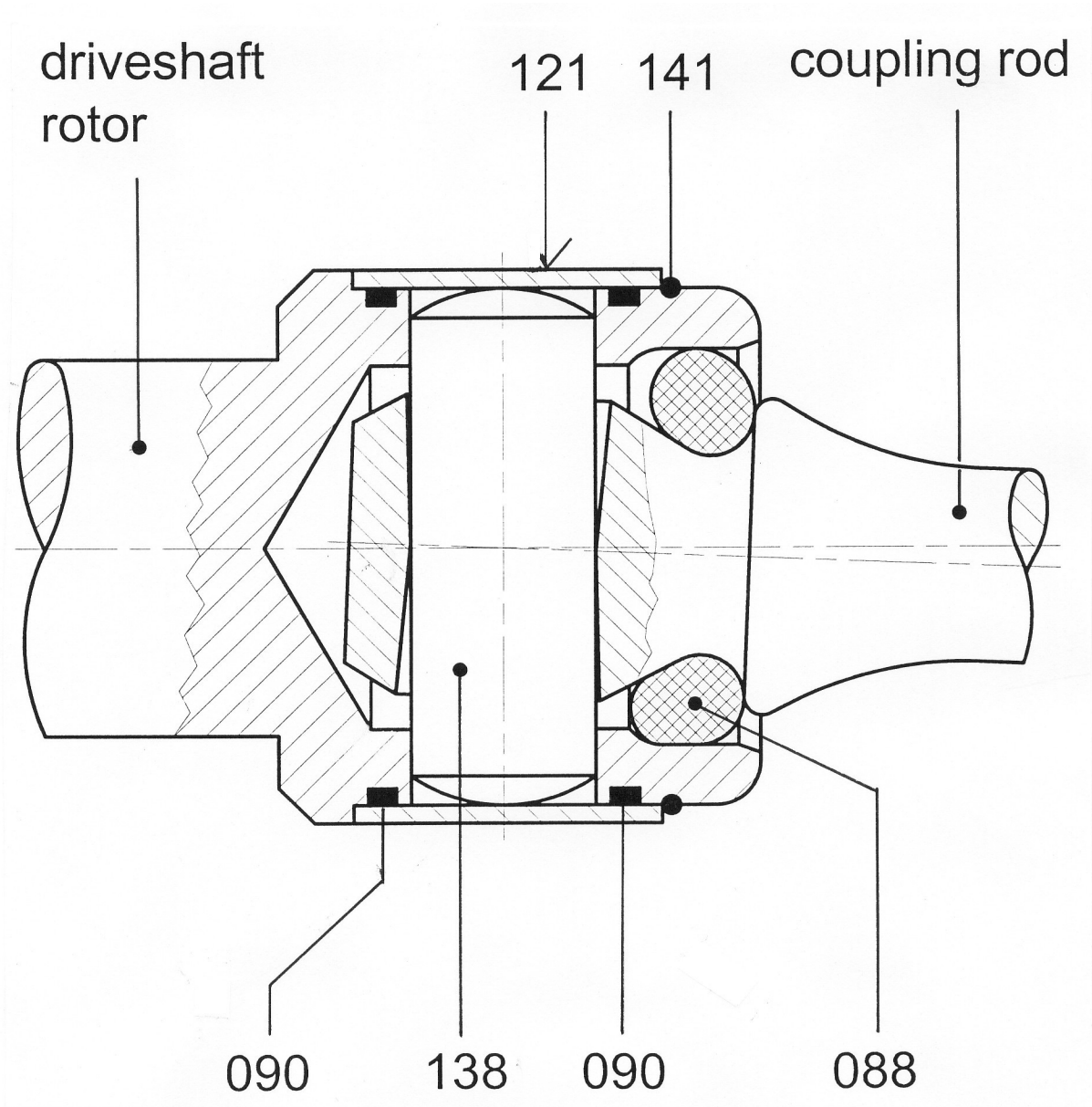
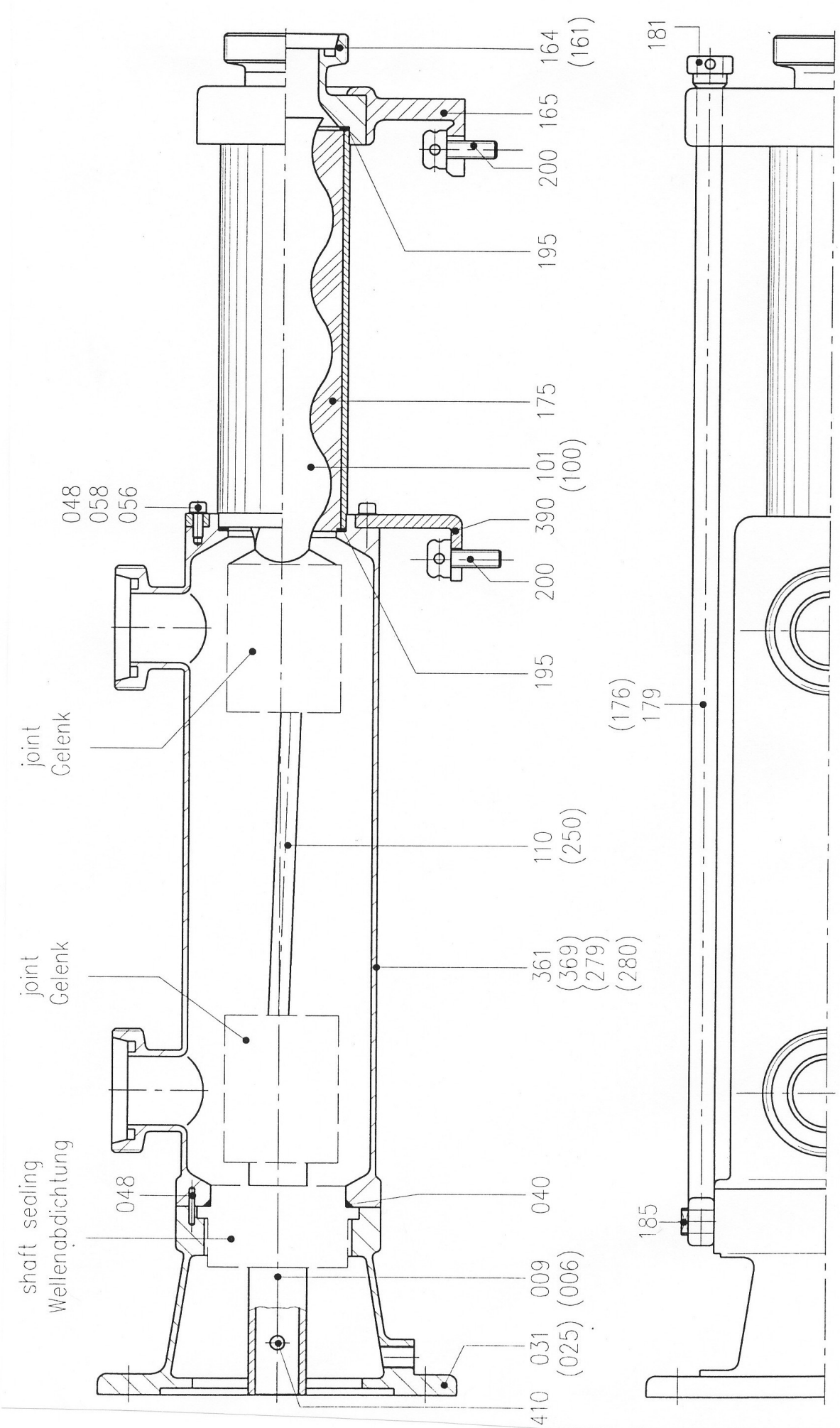


MECHANICAL SEAL



ASSEMBLY DRAWING (PIN JOINT)





PARTS LIST

Parts no.	Piece	Designation	Remarks
009	1	Drive shaft	
031	1	Lantern	
040	1	O – ring	
048	1	Pin	
056	4	Screw	
079	1	Housing	
088	2	O – ring	
090	4	O – ring	
101	1	Rotor	
110	1	Coupling rod	
121	2	Locking sleeve	
138	2	Pin	
141	2	Spring ring	
164	1	Connection	
165	1	Foot	
175	1	Stator	
179	2	Bolt	
181	2	Nut	
185	2	Stud	
195	2	Flat gasket	
200	2	Nut	
210	1	Mechanical seal	
361	1	Pump housing	
390	1	Foot	
410	1	Pin	